

# 385, 385 EPA

Spare parts  
Ersatzteile  
Pièces détachées  
Reserve onderdelen  
Repuestos  
Reservdelar

MODEL 385, 385 EPA

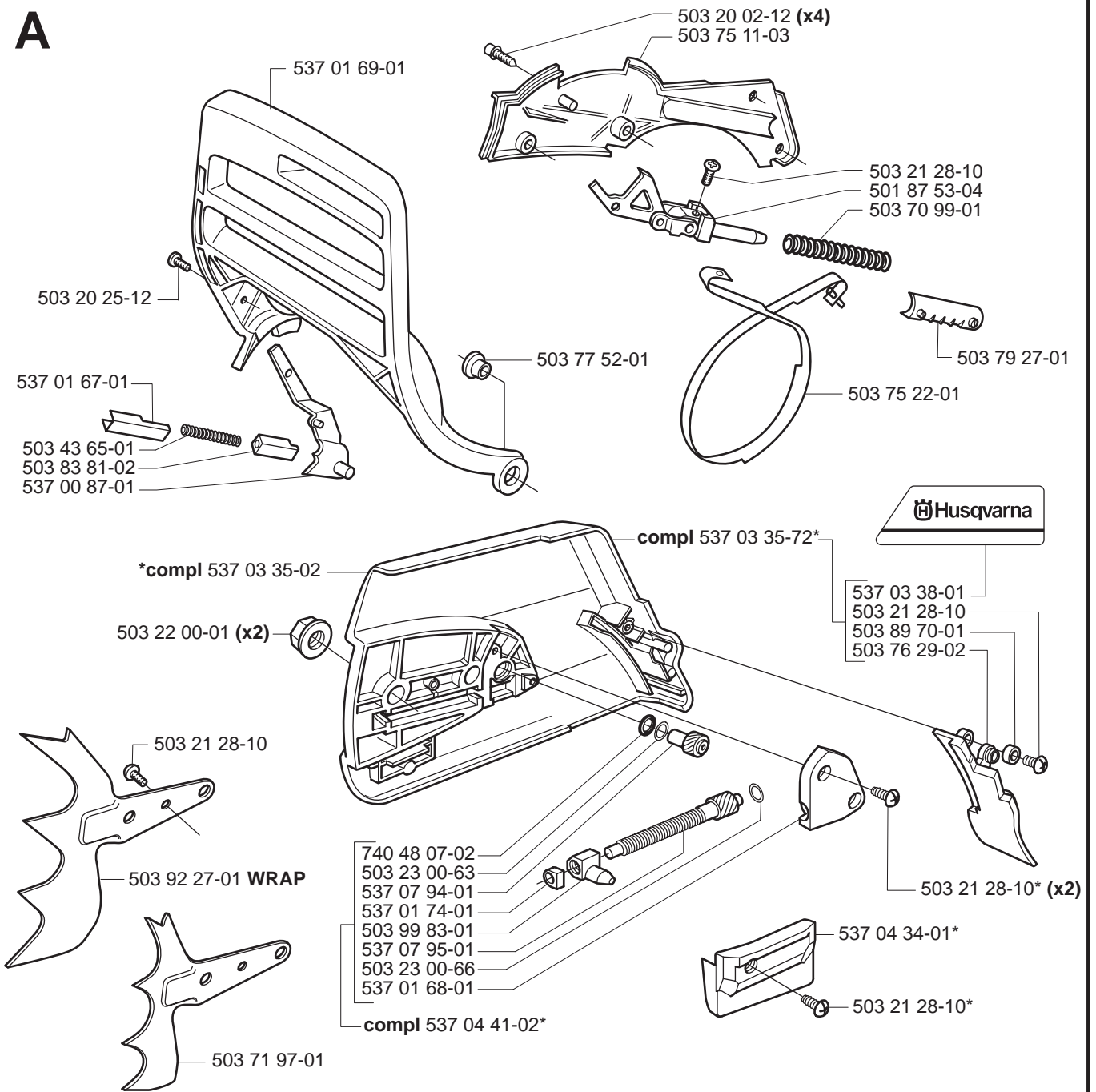
PART NUMBER	SQUARE NOTE	PART NUMBER	SQUARE NOTE	PART NUMBER	SQUARE NOTE	PART NUMBER	SQUARE NOTE
501 22 04-01	P	503 28 04-13	G,P	503 96 22-01	G	537 04 18-01	P
501 22 05-01	P	503 28 90-37	D	503 96 24-05	M	537 04 19-01	P
501 22 08-01	P	503 40 06-04	G	503 96 70-01	H	537 04 29-01	H
501 22 09-01	P	503 42 67-01	B	503 97 50-01	B	537 04 34-01	A
501 22 12-01	P	503 43 20-01	B	503 97 51-01	B	537 04 38-01	Q
501 22 13-01	P	503 43 29-01	N	503 98 66-71	K	537 04 41-02	A
501 22 15-01	P	503 43 65-01	A	503 98 66-72	M	537 05 13-01	H
501 22 20-01	P	503 44 32-01	J	503 98 67-02	L	537 05 16-05	M
501 22 21-01	P	503 48 63-01	P	503 98 67-71	L	537 05 16-06	M
501 22 25-01	P	503 52 13-02	B	503 98 74-01	C	537 05 26-01	M
501 27 08-01	H	503 52 87-02	K,L	503 98 82-01	P	537 06 32-01	M
501 43 00-01	M	503 53 36-01	P	503 98 85-01	P	537 06 53-01	M
501 43 00-01	M	503 53 39-01	P	503 98 86-01	P	537 06 89-01	P
501 48 52-01	P	503 54 39-01	N	503 99 11-72	H	537 06 90-01	P
501 48 54-02	M	503 55 66-01	J	503 99 34-72	E	537 06 95-01	P
501 49 27-03	J	503 55 85-02	Q	503 99 83-01	A	537 06 96-01	C
501 49 48-02	P	503 55 86-01	Q	503 99 93-01	G	537 06 98-01	P
501 51 72-01	A	503 55 86-02	Q	504 02 65-00	P	537 07 00-01	P
501 54 41-02	B	503 56 00-05	G	504 30 00-26	B	537 07 18-02	M
501 59 80-02	B	503 57 76-02	J	504 52 14-03	P	537 07 94-01	A
501 61 58-01	B	503 57 86-01	P	505 30 36-61	B	537 07 95-01	A
501 62 93-08	M	503 57 87-01	P	505 31 64-58	P	537 08 62-01	D
501 63 06-01	N	503 57 89-01	H,J	505 31 65-50	P	537 08 67-01	N
501 67 35-01	M	503 60 04-01	J	537 00 03-71	J	537 08 92-01	H
501 68 89-01	Q	503 62 12-01	Q	537 00 07-01	C	537 09 54-01	H
501 79 51-02	M	503 62 49-01	B	537 00 07-02	C	537 10 64-01	B
501 81 74-01	D,E	503 62 61-02	M	537 00 09-01	C	537 10 82-01	P
501 81 96-02	H,J	503 64 47-01	B	537 00 10-01	C	537 10 83-01	P
501 81 99-01	M	503 65 27-01	P	537 00 12-01	H	537 11 14-01	G
501 82 17-01	P	503 66 19-01	P	537 00 13-01	N	537 13 00-01	P
501 82 18-01	P	503 67 86-01	H	537 00 14-01	H	537 13 33-01	M
501 87 31-01	J	503 68 41-01	G	537 00 37-01	G	537 13 72-01	C
501 87 53-04	A	503 68 45-03	M	537 00 38-71	N	537 13 79-71	B
501 91 14-01	Q	503 70 11-01	G	537 00 39-71	N	537 13 79-72	B
502 01 22-01	P	503 70 99-01	A	537 00 57-01	D	537 16 97-71	D
502 20 65-01	G	503 71 53-01	D	537 00 79-01	H	537 16 98-71	D
502 20 65-05	G	503 71 76-01	J	537 00 87-01	A	720 12 40-20	J
502 20 83-02	G	503 71 82-01	M	537 00 88-01	J	720 12 72-20	J
503 08 52-01	M	503 71 82-02	M	537 00 91-01	G	724 12 87-59	F
503 13 96-01	Q	503 71 97-01	A	537 00 93-01	G	724 32 24-05	M
503 20 02-12	A,H	503 73 44-01	H	537 01 37-71	H	725 52 91-55	M
503 20 02-16	F,H	503 73 64-01	J	537 01 47-01	G	725 53 09-55	G
503 20 02-20	M	503 74 01-02	C	537 01 47-02	G	725 53 29-56	B
503 20 02-30	H	503 74 93-01	H	537 01 47-03	G	725 53 33-55	D
503 20 06-08	F	503 75 11-03	A	537 01 55-01	M	725 53 70-55	F
503 20 16-35	H	503 75 18-01	H	537 01 65-01	C	731 23 14-01	G
503 20 25-12	A	503 75 22-01	A	537 01 67-01	A	737 44 13-00	D
503 20 34-19	N	503 75 24-01	B	537 01 68-01	A	738 22 03-25	E
503 20 44-26	C	503 75 61-04	B	537 01 69-01	A	740 48 07-02	A
503 21 05-20	K,L	503 76 29-02	A,F	537 01 71-01	H		
503 21 06-16	N	503 76 65-03	F	537 01 72-01	H		
503 21 28-06	M	503 77 43-01	B	537 01 74-01	A		
503 21 28-10	A,H,M	503 77 52-01	A	537 01 75-01	J		
503 21 70-16	Q	503 77 59-01	D	537 01 79-01	J		
503 21 88-20	J,M	503 77 98-01	P	537 02 44-01	H		
503 22 00-01	A	503 78 72-01	N	537 03 34-01	J		
503 22 10-11	M	503 79 27-01	A	537 03 34-01	J		
503 22 24-01	H	503 81 13-01	B	537 03 35-02	A		
503 23 00-04	B	503 81 30-01	B	537 03 35-72	A		
503 23 00-42	M	503 82 98-01	J	537 03 38-01	A		
503 23 00-63	A	503 83 81-02	A	537 03 73-01	L		
503 23 00-66	A	503 84 61-01	H	537 04 03-01	H		
503 23 43-02	N	503 85 96-01	N	537 04 04-01	N		
503 23 51-08	D	503 89 70-01	A	537 04 04-02	N		
503 25 12-01	E	503 89 76-01	M	537 04 05-01	M		
503 26 02-05	H	503 92 27-01	A	537 04 06-01	M		
503 26 14-01	E	503 95 90-01	F	537 04 13-01	P		
503 26 30-17	H,J	503 95 90-02	F	537 04 14-01	P		
503 27 21-01	B	503 95 90-03	F	537 04 15-01	P		
503 28 04-11	G,P	503 95 91-01	F	537 04 16-01	P		

1 = 537 03 39-01 Set of gaskets  
 2 = 501 49 48-02 Dichtungssatz  
 Jeu de joints  
 Juego de juntas  
 Packningssats

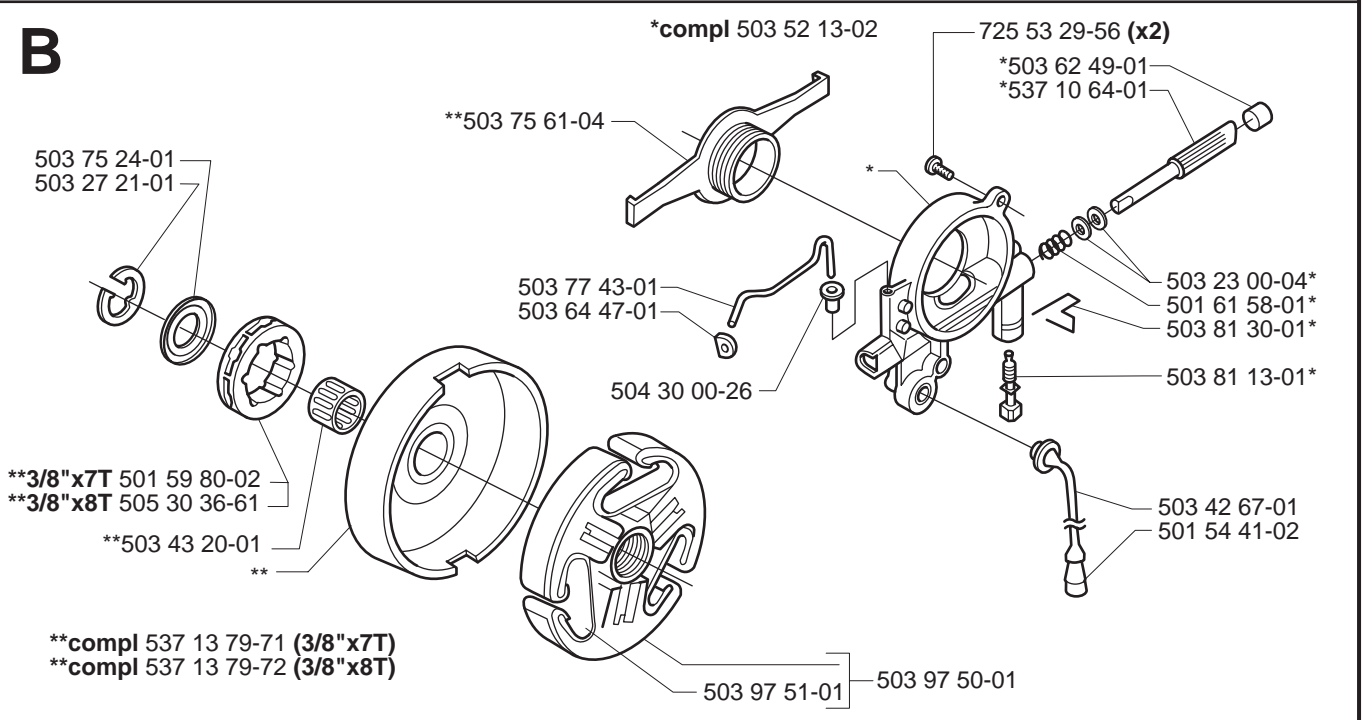
N = New part  
 Neues teil  
 Nouvelle piece  
 Nueva pieza  
 Ny detalj

EPA = Environmental Protection Agency  
 (for USA only)

# A

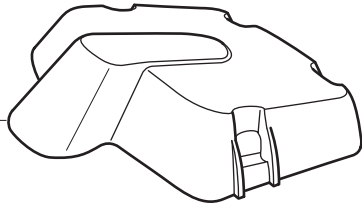


# B



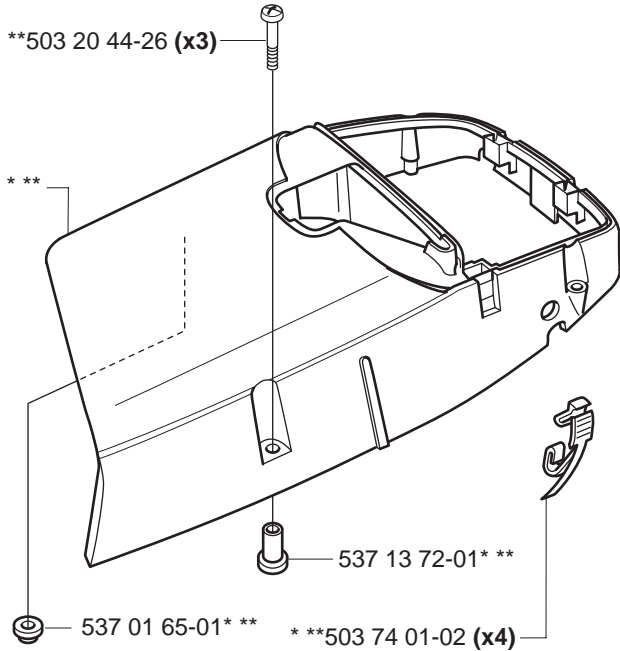
**C** \*compl 537 00 07-01 Std  
 \*\*compl 537 00 07-02 Hd

\*537 00 09-01 Std  
 \*\*537 00 10-01 Hd



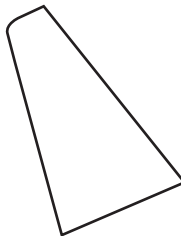
503 98 74-01\* \*\*

\* \*\*503 20 44-26 (x3)



\* \*\*

\*\*\*503 74 01-02 (x4)



537 06 96-01\* \*\*

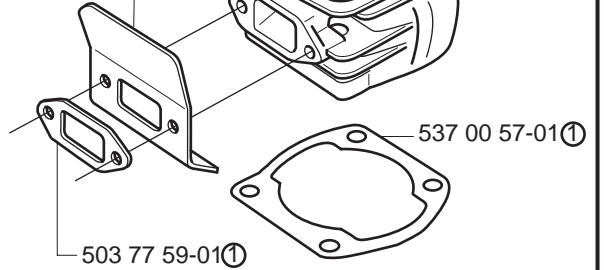
537 07 23-01\* \*\*

**D** \*compl 537 16 97-71

725 53 33-55 (x4)  
 503 71 53-01

503 23 51-08  
 RCJ 7Y

537 08 62-01

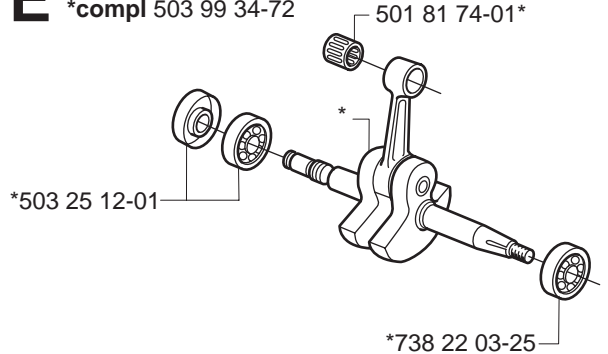


503 28 90-37 (x2)

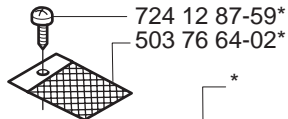
737 44 13-00 (x2)

\*compl 537 16 98-71

**E** \*compl 503 99 34-72



**F** compl 503 95 90-01 FG  
 compl 503 95 90-03 Jungle  
 \*compl 503 95 90-02 DF

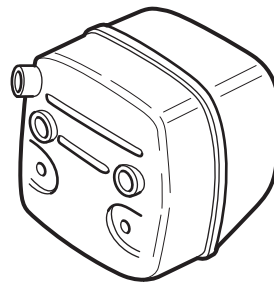
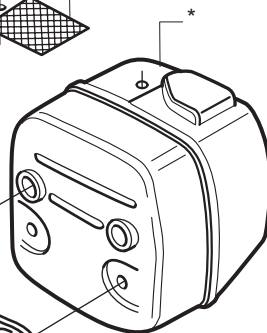


724 12 87-59\*  
 503 76 64-02\*

725 53 70-55 (x2)

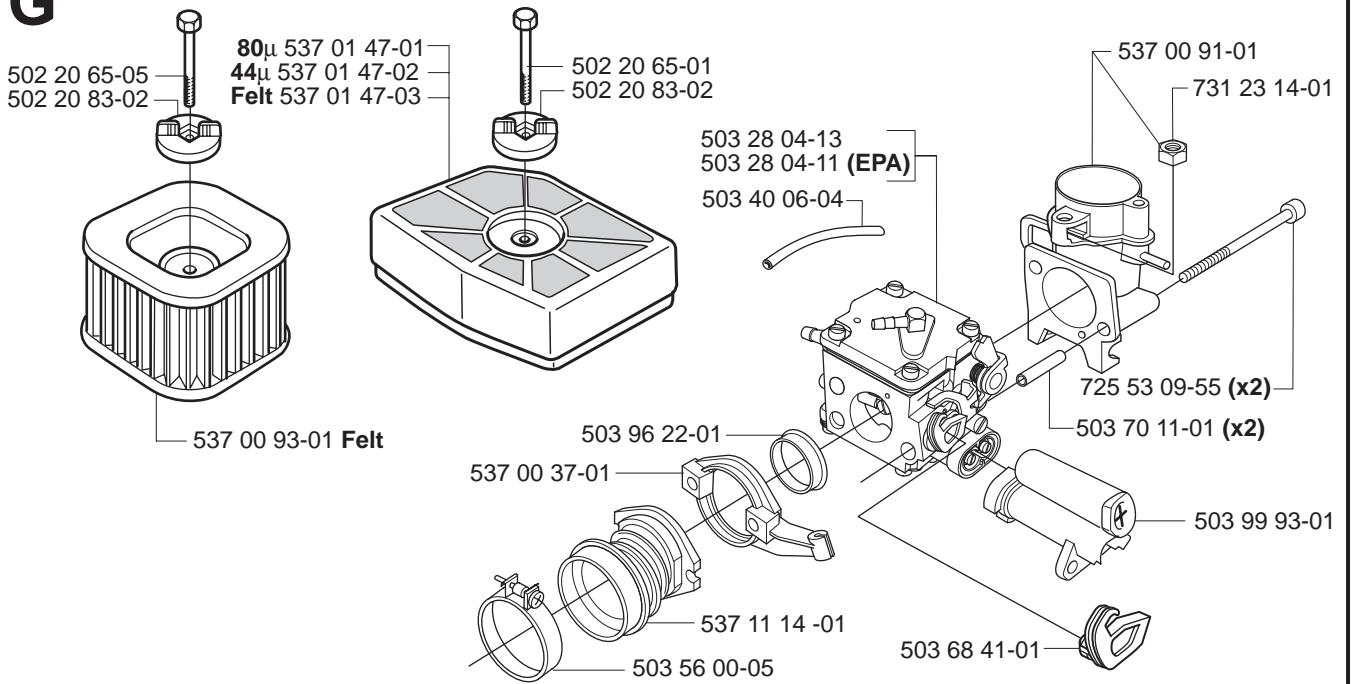
503 76 65-03  
 503 20 02-16 (x2)

503 20 06-08 (x2)



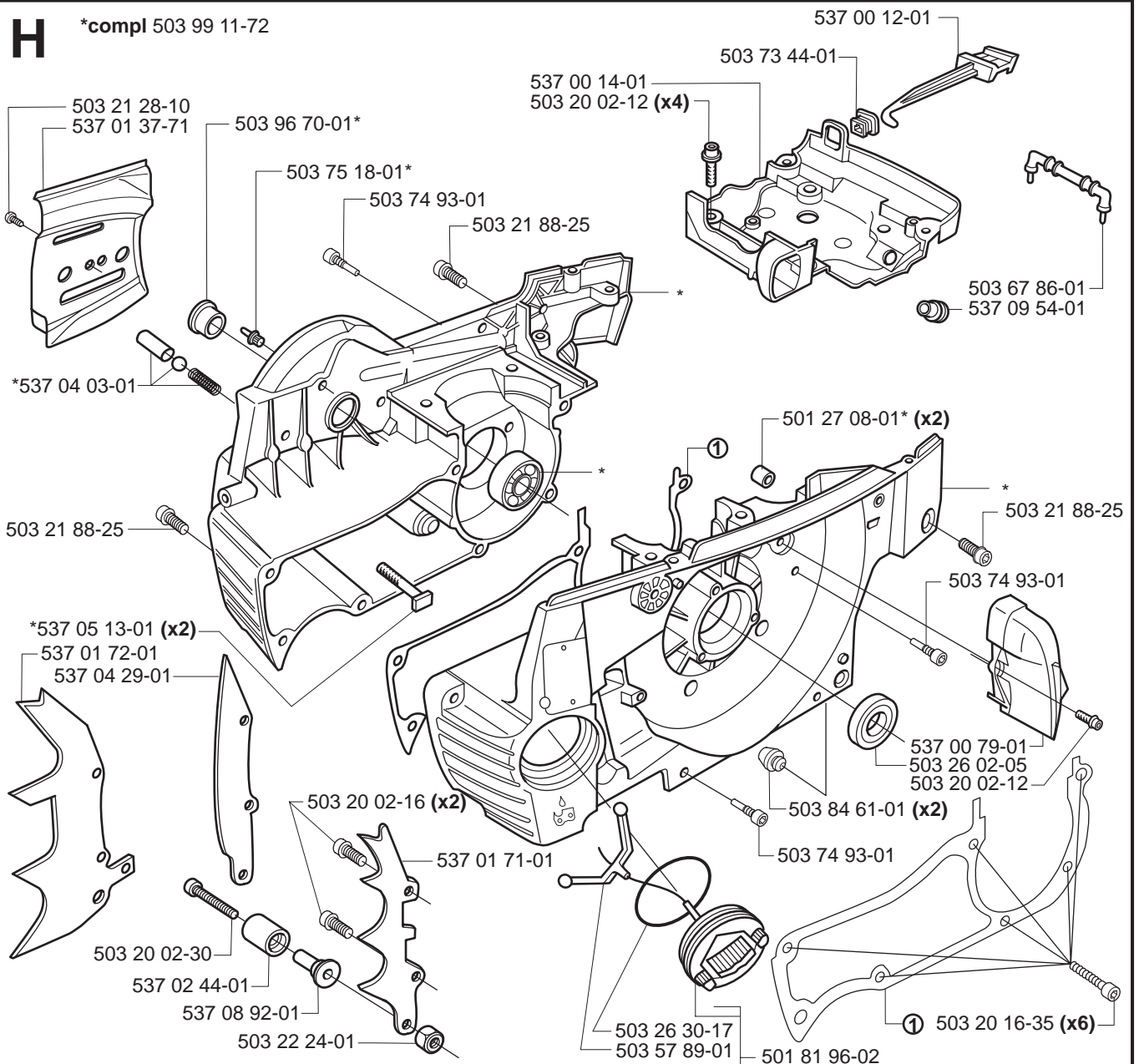
503 95 91-01 Tube

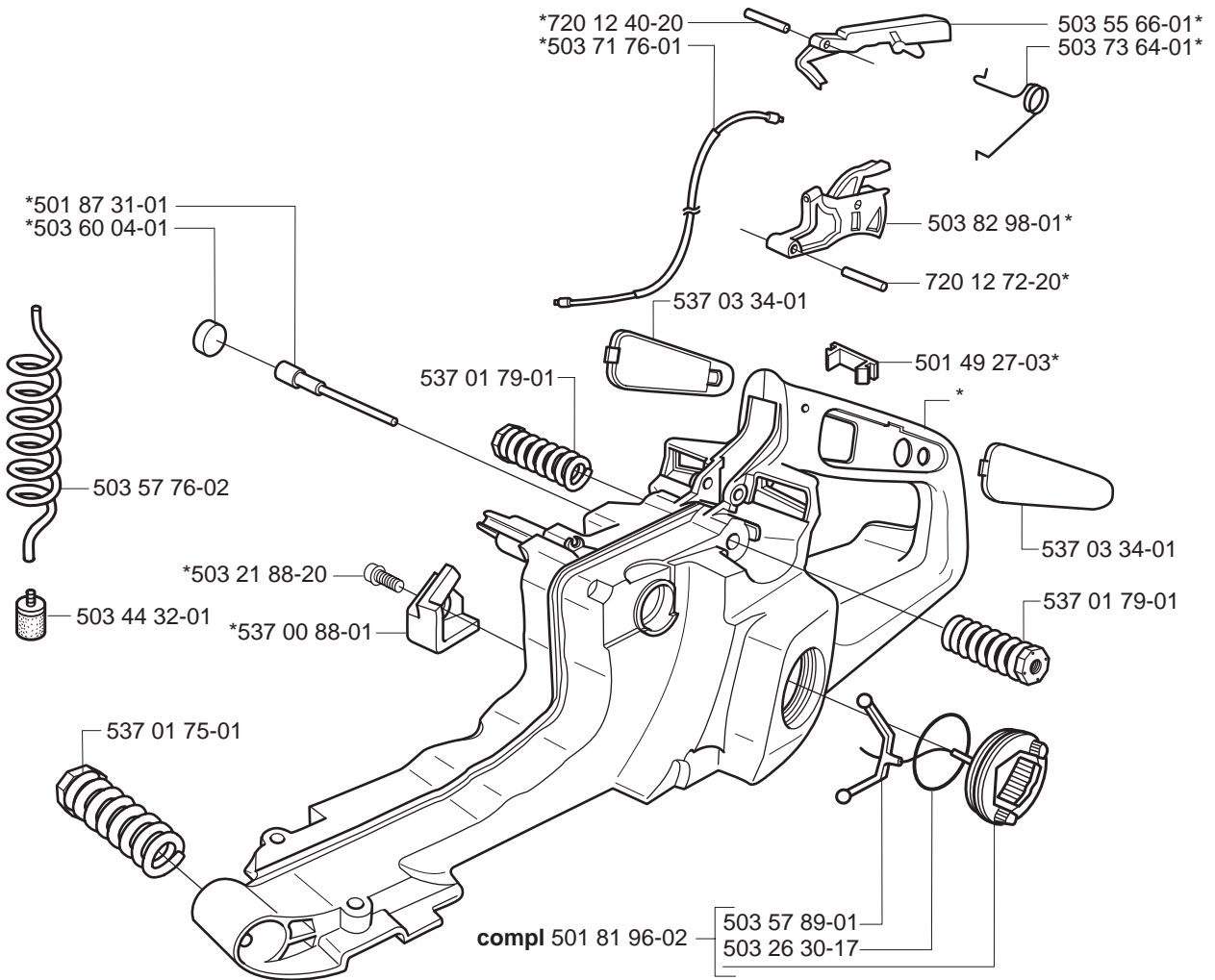
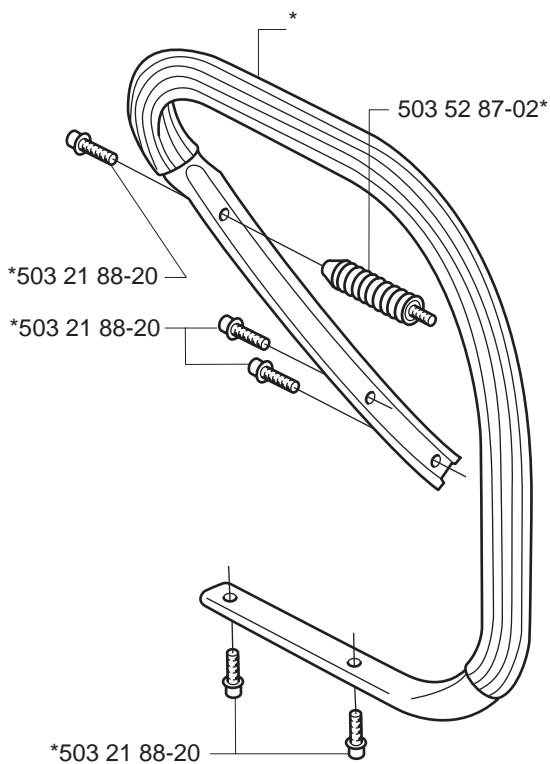
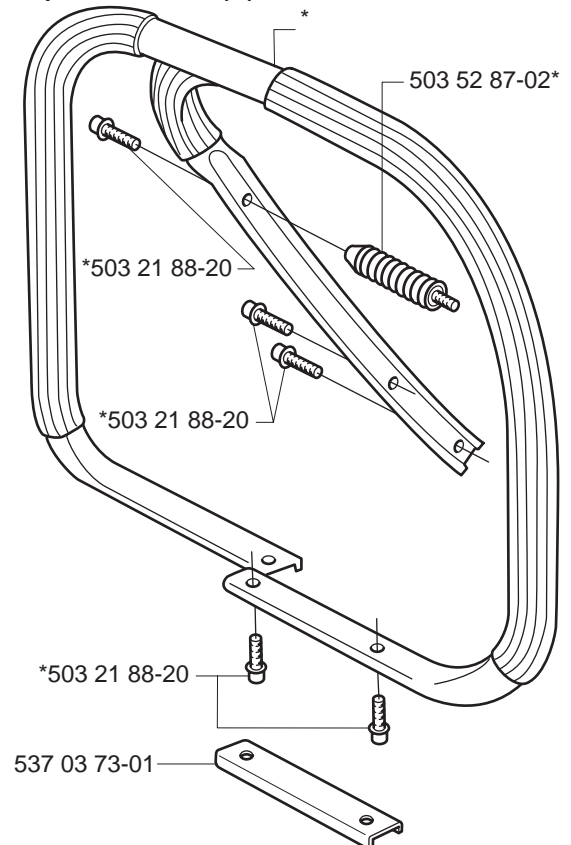
# G



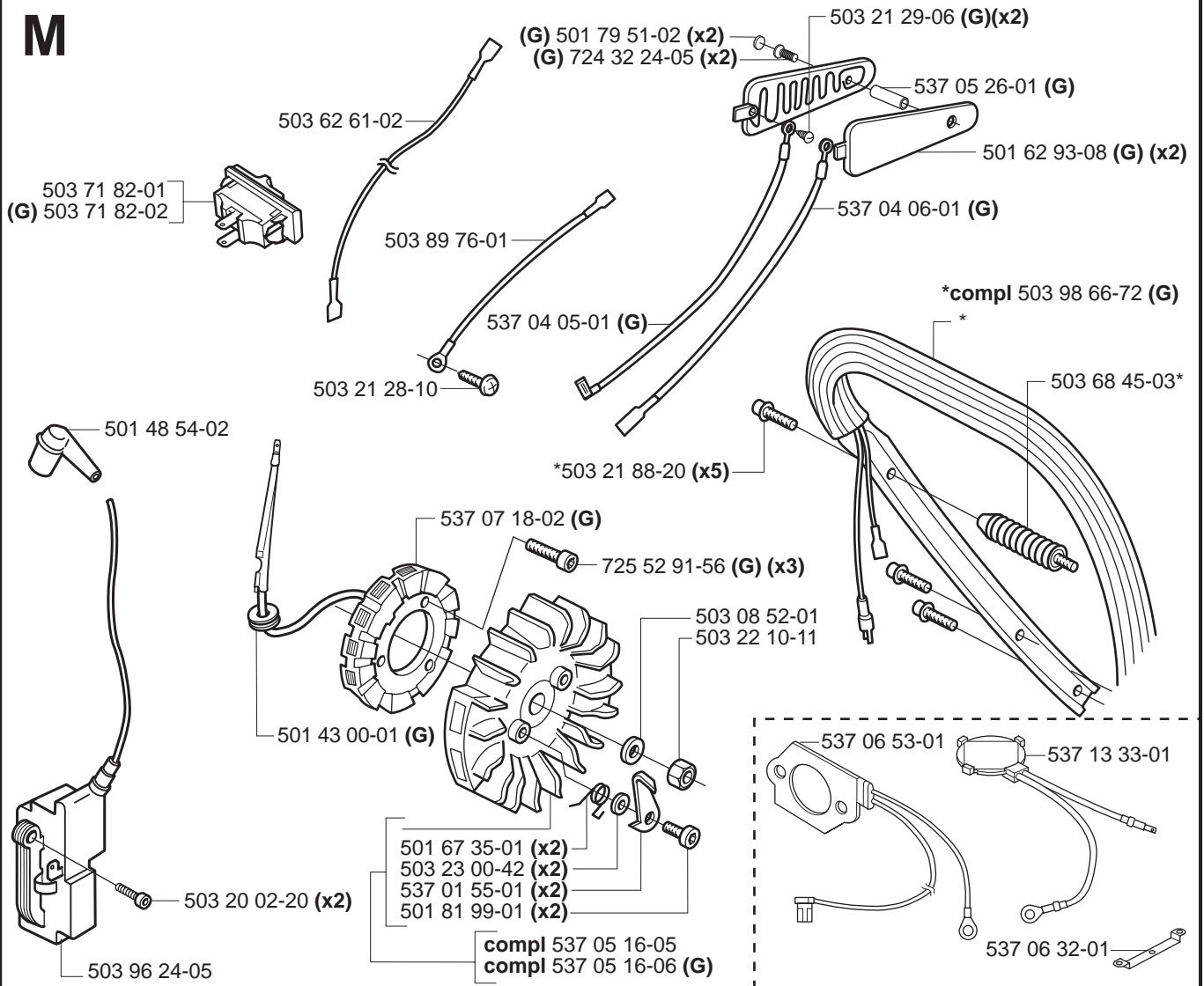
# H

\*compl 503 99 11-72

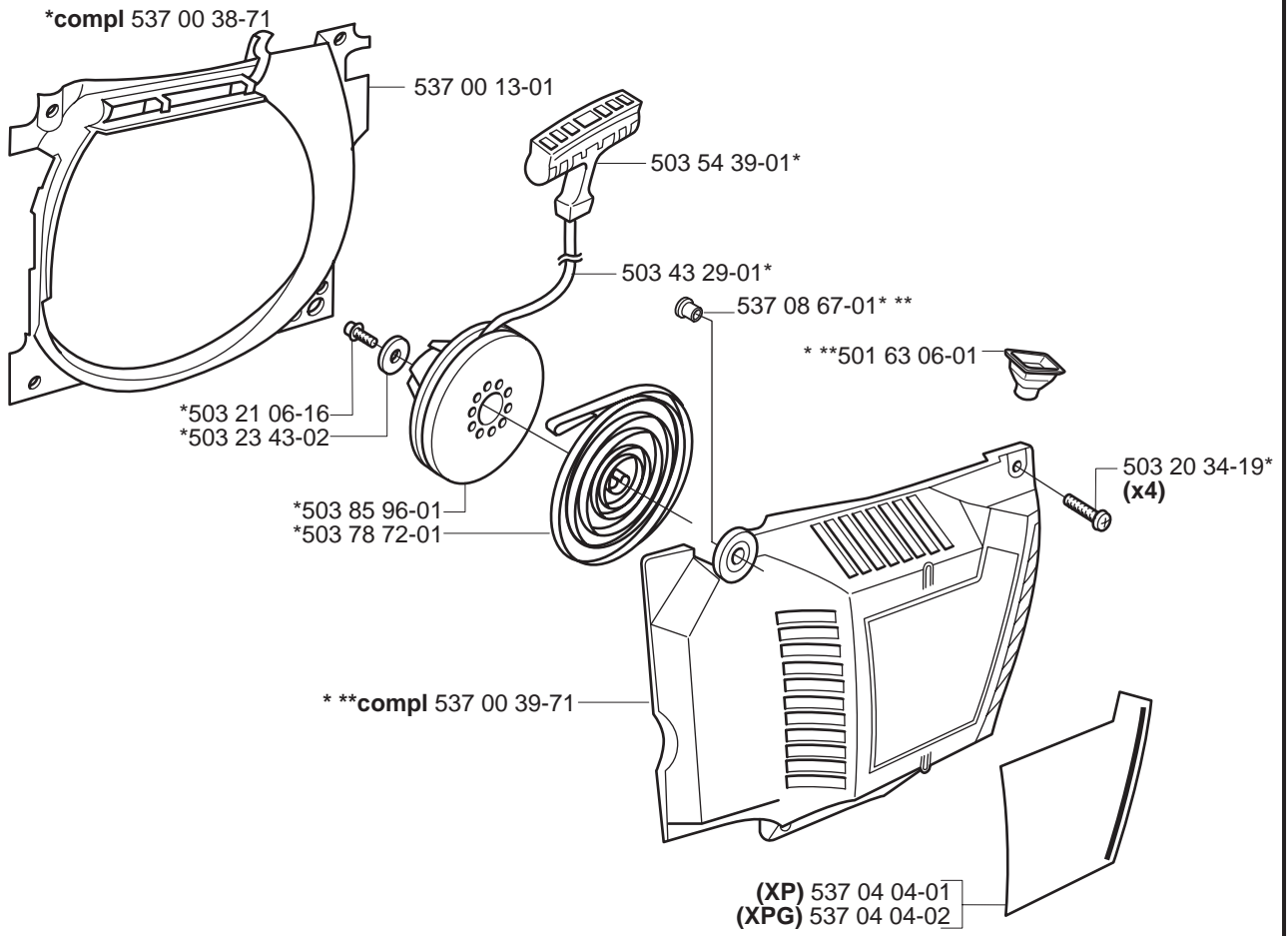


**J****\*compl 537 00 03-71****K****compl 503 98 66-71****L****\*compl 503 98 67-71**  
**\*compl 503 98 67-02 (G)**

# M

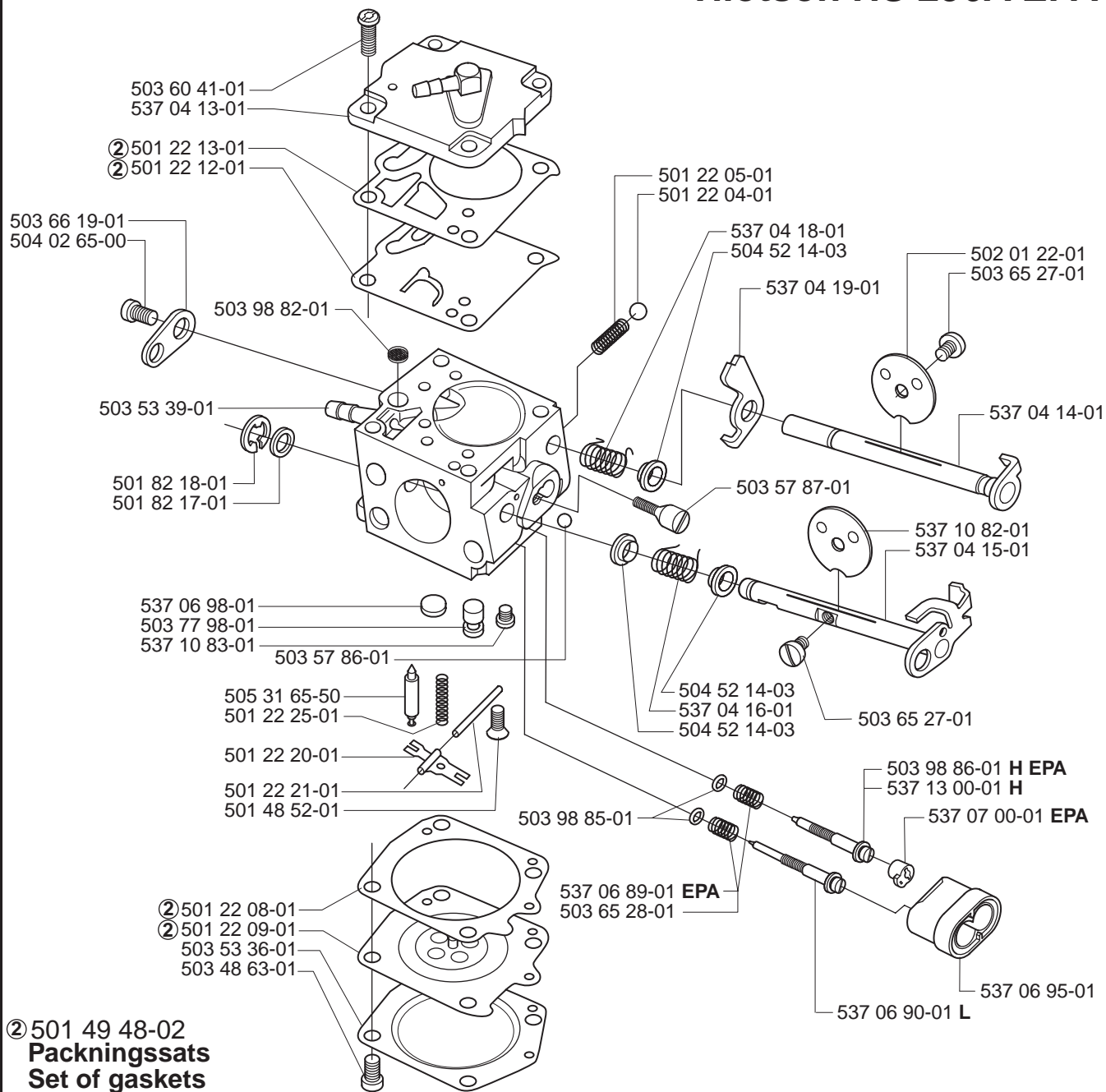


# N



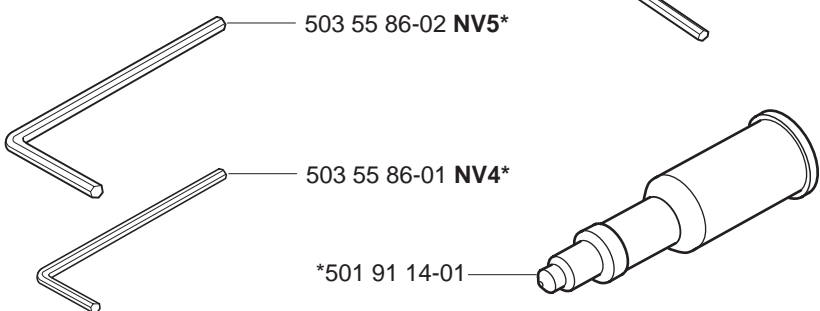
**P** compl 503 28 04-13  
 compl 503 28 04-11 EPA

# Tilotson HS 299A Tilotson HS 296A EPA



## **Q** Accessories Zubehöre Accessories Tillbehör

\*compl 503 55 85-02



## **WINTER KIT** compl 537 04 38-01

