

# 357XP, 359 357XP EPA, 359 EPA

**Spare parts**

**Ersatzteile**

**Pièces détachées**

**Reserve onderdelen**

**Repuestos**

**Reservdelar**

Replaces

Ersetzt

Remplace

Vervangt

Reemplaza

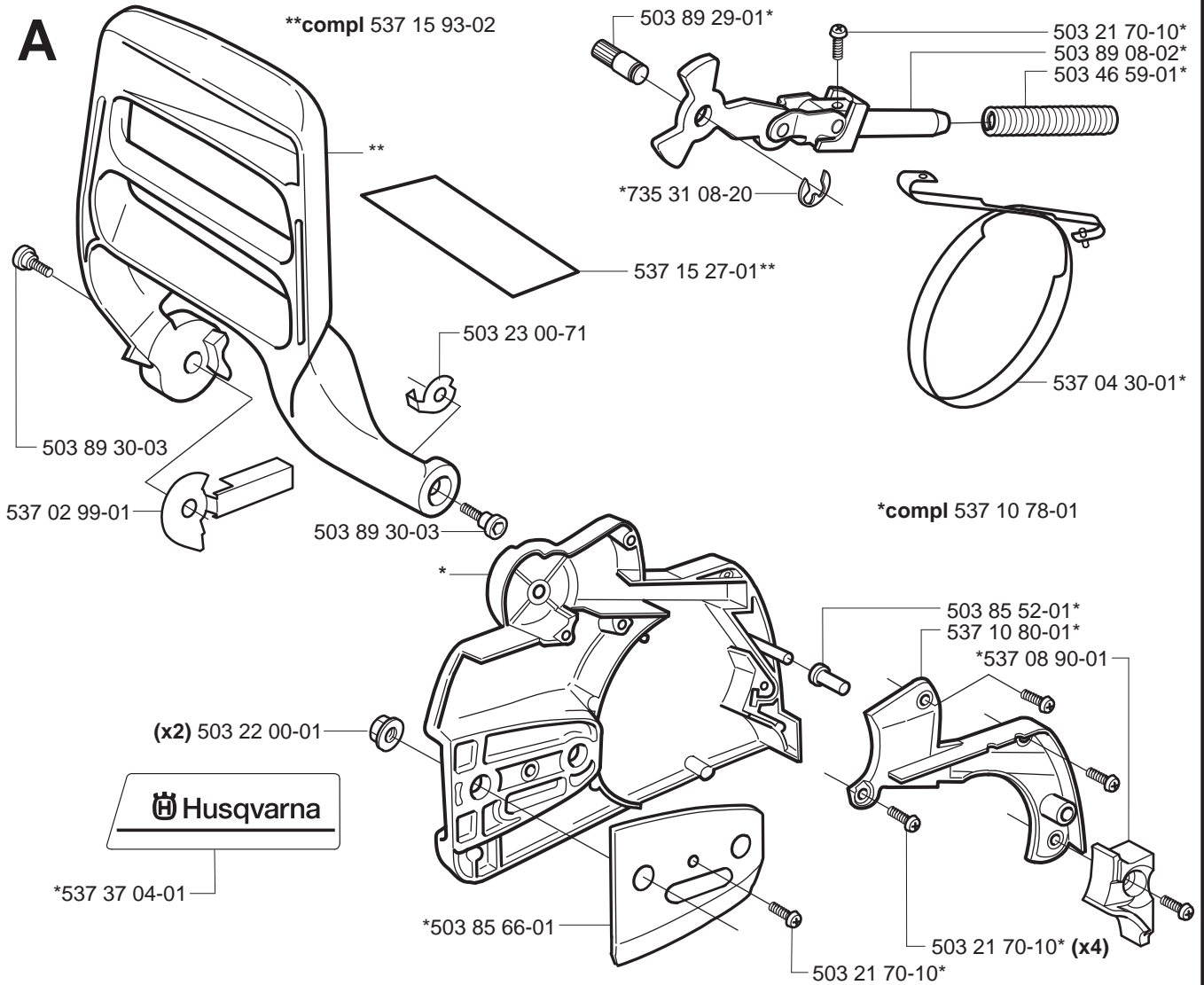
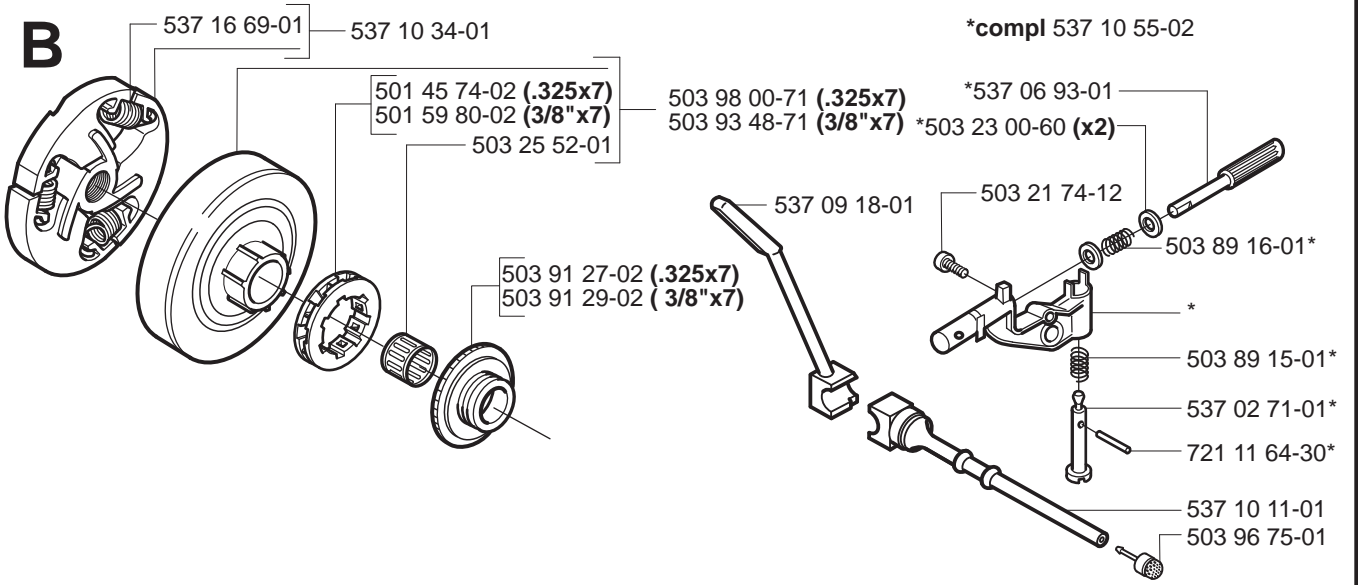
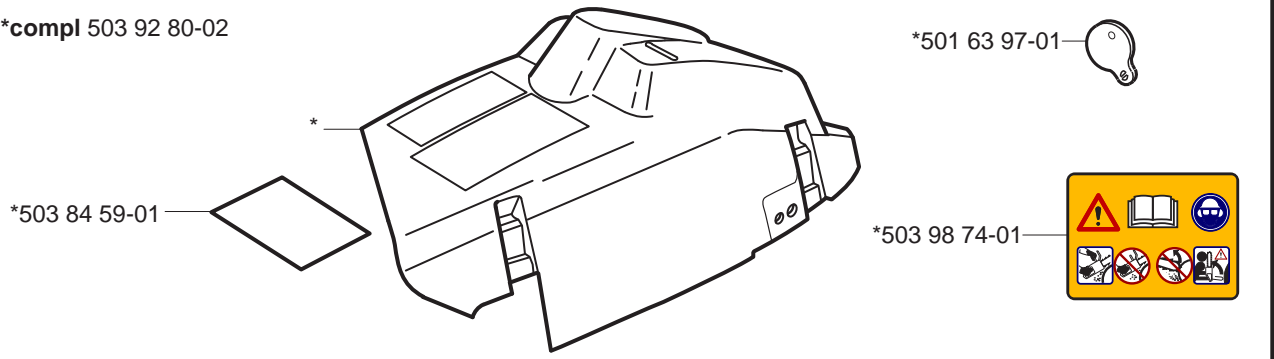
Ersätter

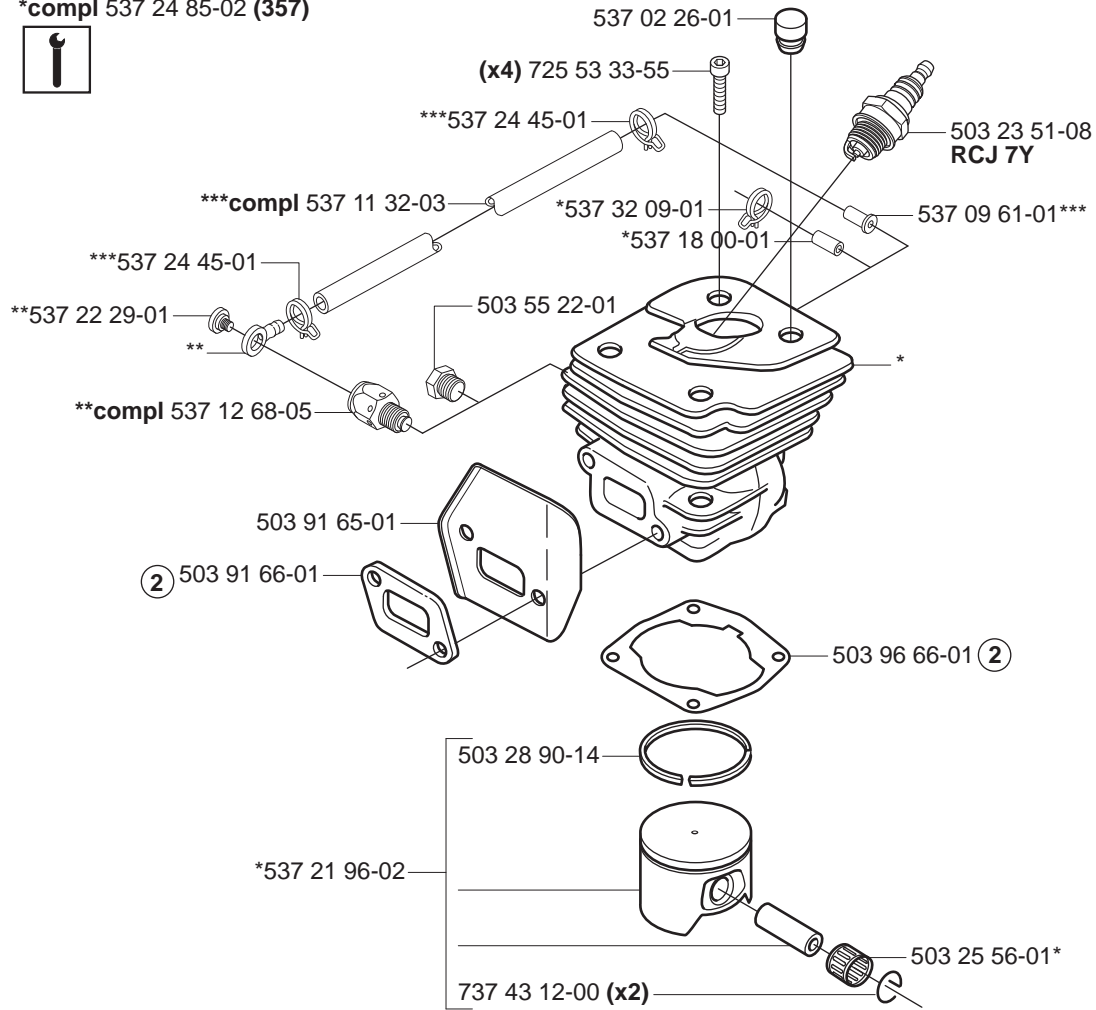
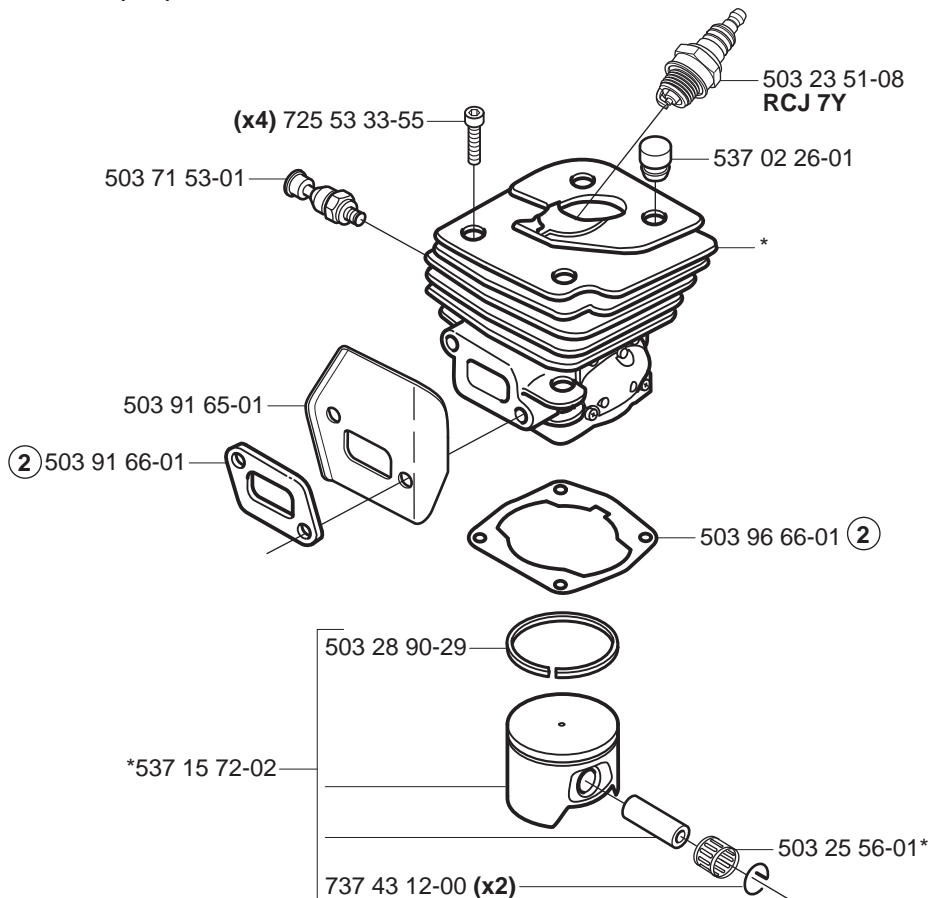
106 26 06-64

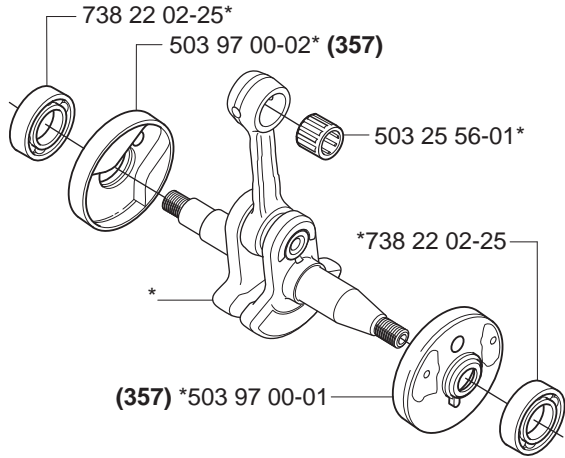
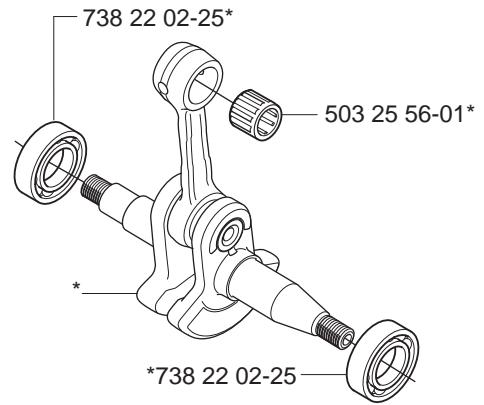
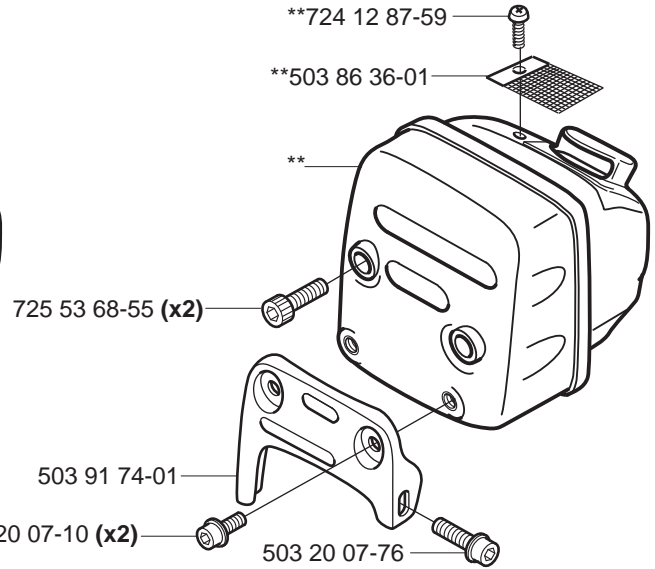
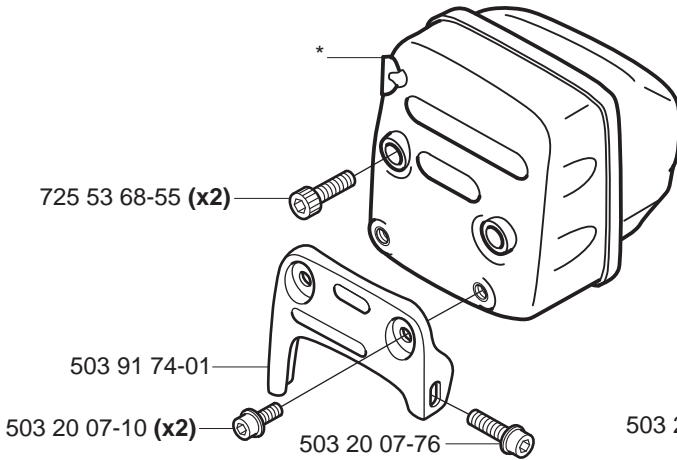
PART NUMBER	SQUARE NOTE	PART NUMBER	SQUARE NOTE	PART NUMBER	SQUARE NOTE	PART NUMBER	SQUARE NOTE
503 92 53-71	H	503 54 39-01	M	503 92 89-01	M	537 10 34-01	B
501 45 74-02	B	503 55 22-01	D	503 92 90-01	H	537 10 36-01	L
501 46 84-01	N	503 55 85-01	P	503 92 99-01	Q	537 10 55-02	B
501 46 85-01	N	503 55 86-01	P	503 92 99-02	Q	537 10 78-01	A
501 46 87-01	N	503 55 86-02	P	503 93 06-03	M	537 10 80-01	A
501 48 54-02	L	503 56 23-01	N	503 93 07-02	M	537 11 32-03	D
501 59 80-02	B	503 56 34-01	N	503 93 31-71	Q	537 12 68-05	D
501 63 06-01	M	503 57 42-01	N	503 93 48-71	B	537 14 65-01	H
501 63 97-01	C	503 57 76-02	J	503 93 54-01	H	537 15 27-01	A
501 66 61-01	N	503 57 89-01	H, J N	503 93 87-02	G	537 15 68-01	E
501 66 62-01	N	503 58 15-01	N	503 94 44-01	N EPA, CE	537 15 72-02	D
501 66 69-01	N	503 61 48-01	N	503 94 46-01	N EPA, CE	537 15 73-02	D
501 66 77-01	N	503 62 12-01	P	503 94 47-01	N EPA, CE	537 15 79-01	Q
501 66 78-01	N	503 71 53-01	D, Q	503 94 54-01	N	537 15 80-01	Q
501 66 83-01	N	503 71 82-02	Q	503 94 56-01	N	537 15 81-01	N
501 69 17-01	P	503 79 95-01	N EPA, CE	503 94 57-01	N	537 15 82-01	N
501 69 30-01	N	503 81 81-01	L	503 94 58-01	N	537 15 93-02	A
501 81 99-03	L	503 84 59-01	C	503 96 27-01	G	537 16 21-01	L
501 83 29-01	N	503 85 41-01	J	503 96 43-01	J	537 16 69-01	B
501 86 18-01	Q	503 85 44-01	J	503 96 66-01	D	537 18 00-01	D
501 91 14-01	P	503 85 45-01	J	503 96 68-01	Q	537 18 99-01	L
502 25 47-01	N	503 85 52-01	A	503 96 75-01	B	537 21 50-01	H, J N
503 08 18-01	N	503 85 66-01	A	503 96 76-01	G	537 21 51-02	H, J N
503 08 20-01	N	503 86 36-01	F	503 97 00-01	E, Q	537 21 52-02	H, J N
503 10 87-01	N	503 86 62-01	G	503 97 00-02	E, Q	537 21 52-03	J
503 17 63-01	N	503 86 84-01	N EPA, CE	503 97 06-01	N	537 21 92-01	E
503 20 02-20	H	503 86 85-01	N EPA, CE	503 97 38-01	H	537 21 96-02	D
503 20 07-10	F	503 86 92-01	H	503 97 88-01	P	537 22 29-01	D
503 20 07-76	F, H N	503 86 93-01	H	503 98 00-71	B	537 24 45-01	D
503 20 08-32	H	503 86 95-02	G	503 98 74-01	C	537 24 65-01	G
503 20 25-16	H, L	503 86 97-01	G	503 99 16-01	N	537 24 85-02	D
503 20 34-19	M	503 87 54-01	H	503 99 86-01	J	537 25 65-01	K N
503 21 29-10	M	503 88 63-01	Q	504 13 09-05	N	537 25 65-02	K N
503 21 38-01	K, Q	503 89 08-02	A	504 21 00-50	N EPA, CE	537 32 09-01	D
503 21 39-01	H	503 89 15-01	B	505 27 57-19	H	537 32 48-01	M
503 21 51-01	H	503 89 16-01	B	505 30 51-25	M	537 32 48-02	M
503 21 55-25	L	503 89 24-01	H	505 31 67-17	N	537 32 48-03	M
503 21 69-16	M	503 89 29-01	A	505 52 01-25	N	537 32 48-04	M
503 21 70-10	A	503 89 30-03	A N	530 03 50-15	N	537 32 48-06	M
503 21 70-16	P	503 89 47-01	H	537 00 20-01	N	537 32 48-07	M
503 21 71-16	Q	503 89 87-01	L	537 01 07-01	Q	537 32 48-08	M
503 21 74-12	B, H	503 90 56-01	H	537 01 09-01	G	537 32 48-09	M
503 21 74-32	Q	503 91 27-02	B	537 01 09-02	G	537 32 48-10	M
503 21 75-12	H	503 91 29-02	B	537 01 09-03	G	537 32 48-11	M
503 21 75-20	Q	503 91 39-01	N EPA, CE	537 02 18-01	H	537 32 48-12	M
503 21 88-16	K	503 91 40-01	N EPA, CE	537 02 26-01	D	537 32 73-01	K N
503 21 88-25	H, J, K	503 91 54-01	N EPA, CE	537 02 71-01	B	537 32 74-01	K N
503 22 00-01	A	503 91 65-01	D	537 02 99-01	A	537 33 02-01	L N
503 22 04-01	L	503 91 66-01	D	537 04 03-01	H	537 33 02-02	L N
503 23 00-42	L	503 91 74-01	F	537 04 30-01	A	537 35 95-01	J N
503 23 00-60	B	503 91 75-01	F	537 04 43-01	N	537 37 04-01	A
503 23 00-71	A	503 91 76-01	F	537 04 44-01	N EPA, CE	537 37 79-01	H N
503 23 51-08	D	503 91 98-71	Q	537 04 45-01	N	537 37 88-01	N
503 25 52-01	B	503 92 04-71	Q	537 04 46-01	N EPA, CE	720 18 25-20	J
503 25 56-01	D, E	503 92 18-01	L	537 04 47-01	N	721 11 64-30	B
503 28 18-09	Q	503 92 18-02	L	537 04 49-01	N EPA, CE	721 12 07-30	H
503 28 18-10	Q	503 92 18-03	L	537 04 50-01	N	724 12 87-59	F
503 28 18-15	Q	503 92 25-01	G	537 04 53-01	N	725 53 33-55	D
503 28 18-16	Q	503 92 30-01	J N	537 04 80-01	N	725 53 41-55	G
503 28 18-17	G, N	503 92 31-01	J	537 06 04-01	L	725 53 68-55	F
503 28 18-18	G, N EPA, CE	503 92 33-01	K	537 06 07-01	L	735 31 08-20	A
503 28 18-19	G, N	503 92 46-01	G	537 06 59-01	M	737 43 12-00	D, Q
503 28 18-20	G, N EPA, CE	503 92 53-71	Q	537 06 93-01	B	738 22 02-25	E, H, Q
503 28 90-14	D, Q	503 92 61-01	Q	537 07 12-01	H	740 42 01-00	P
503 28 90-29	D	503 92 61-02	K N	537 08 90-01	A		
503 40 06-02	J N	503 92 79-01	H	537 09 18-01	B		
503 43 65-01	H	503 92 80-02	C	537 09 31-01	M		
503 44 32-01	J	503 92 85-01	G	537 09 61-01	D		
503 46 59-01	A	503 92 87-01	G	537 10 11-01	B		
503 51 81-01	N	503 92 88-01	G	537 10 22-01	F		

1=537 04 80-01 Set of gaskets, Dichtungssatz,  
2=503 97 85-01 Jeu de joints, Juego de juntas,  
Packningssats

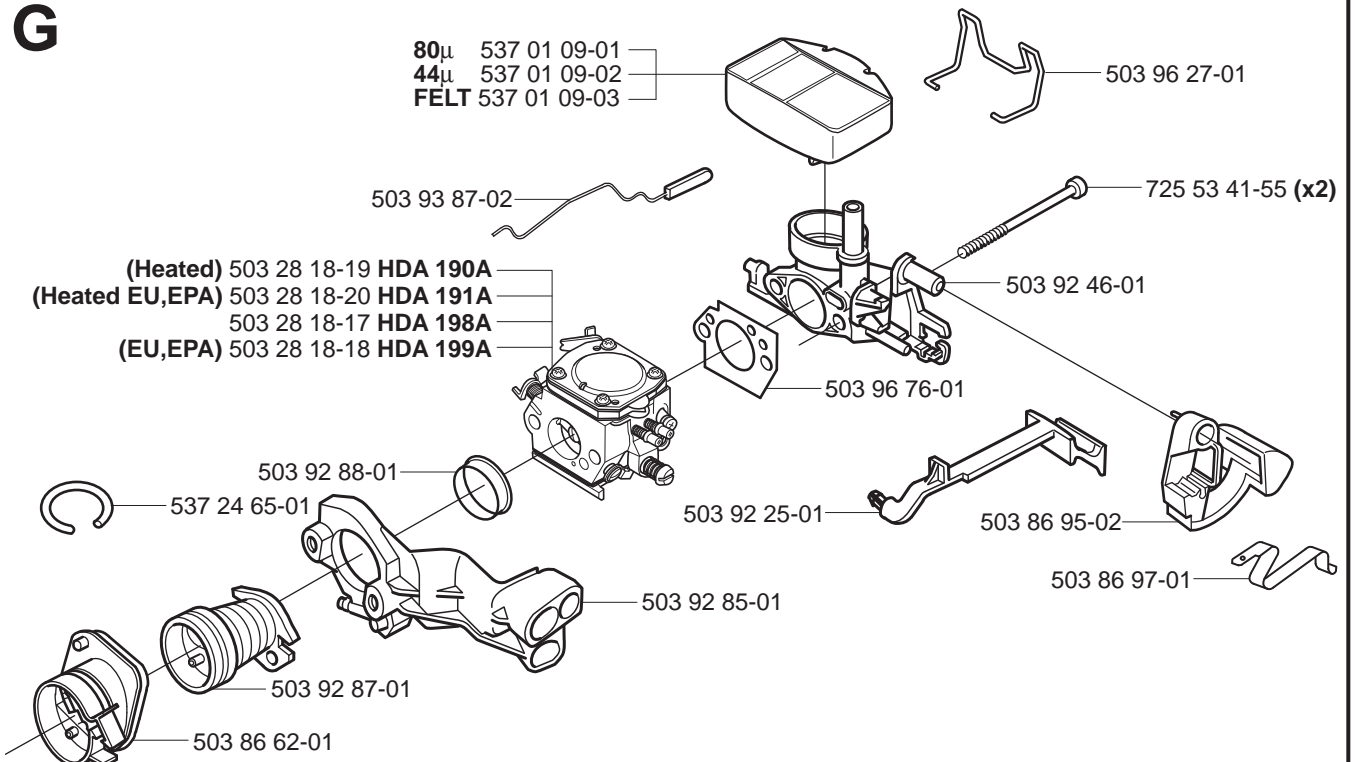
N = New part, Neues teil,  
Nouvelle piece, Nueva pieza  
Ny detalj

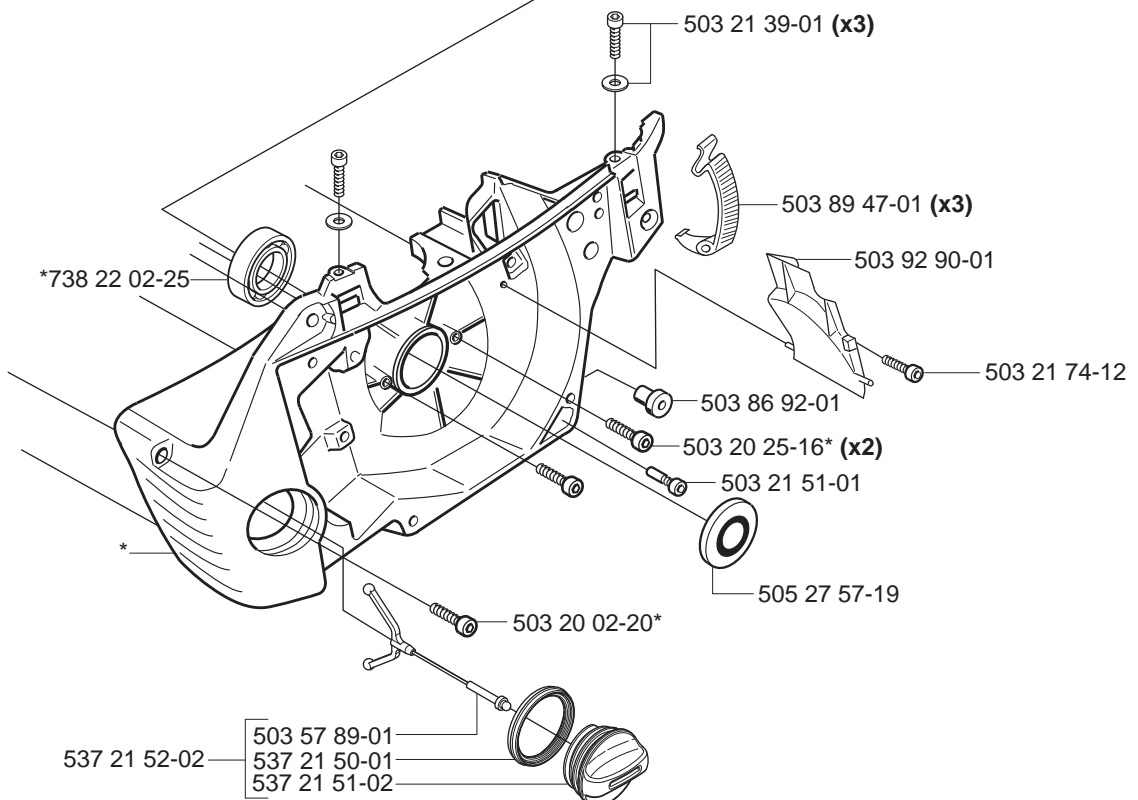
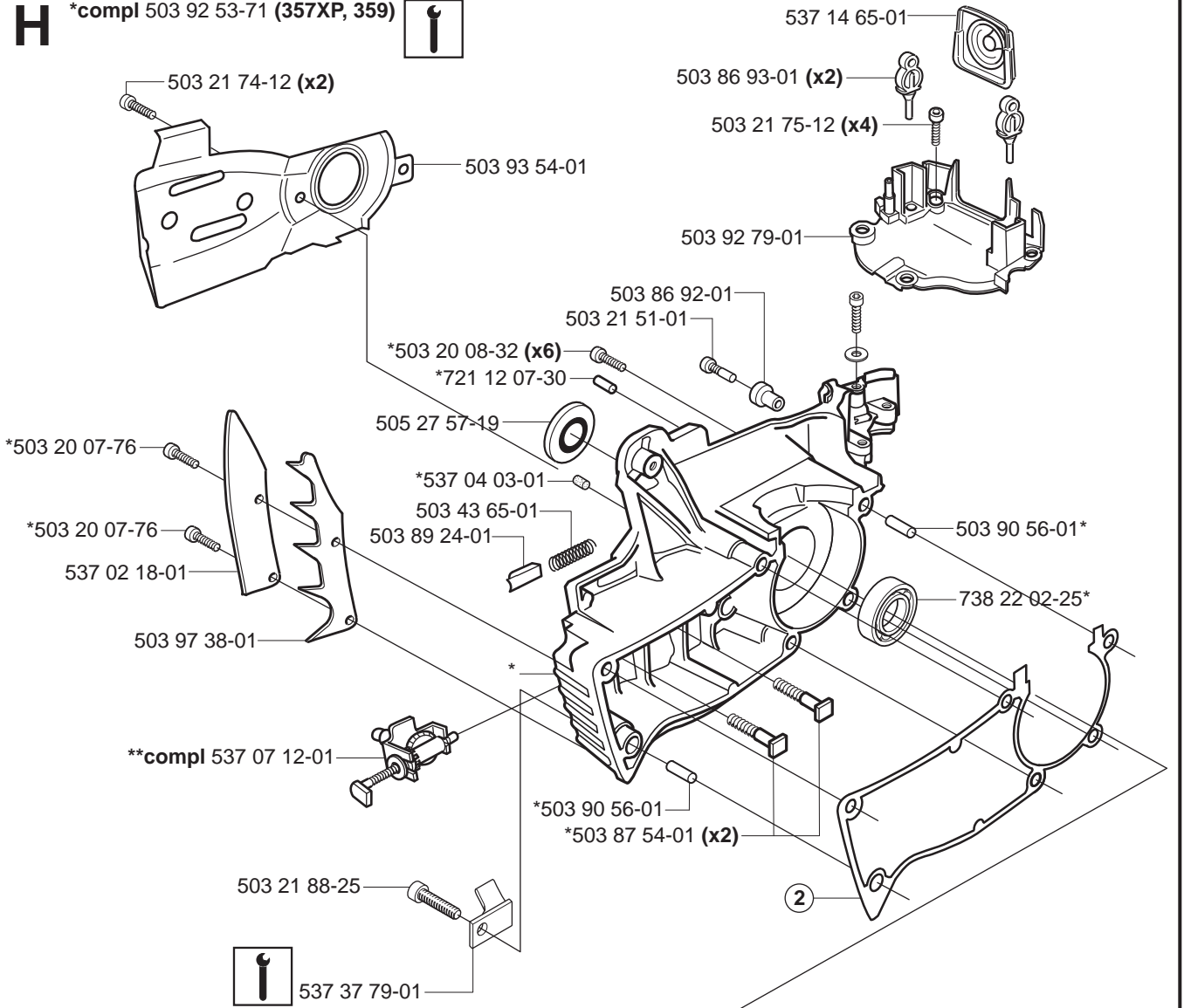
**A****\*\*compl 537 15 93-02****B****C****\*compl 503 92 80-02**

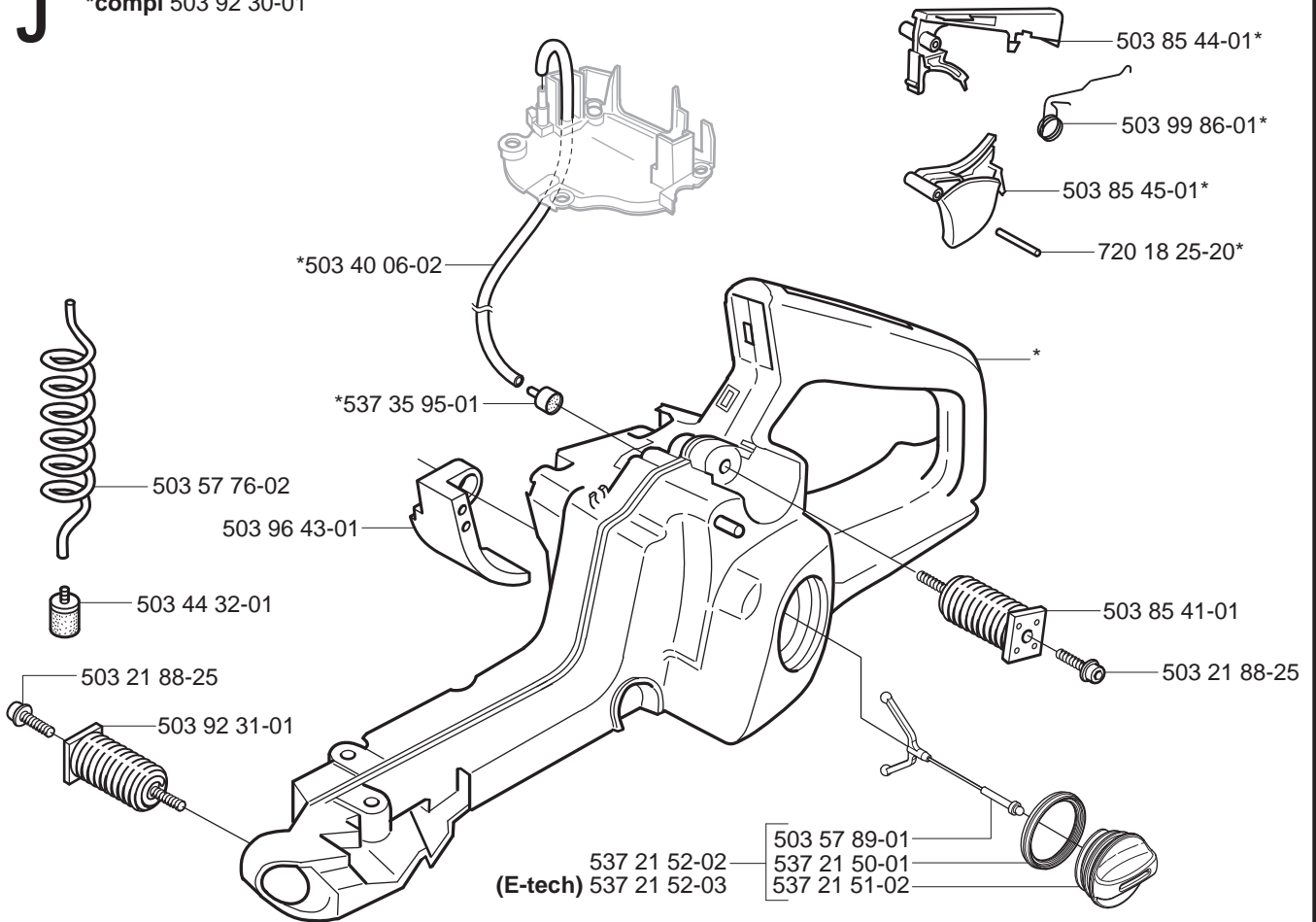
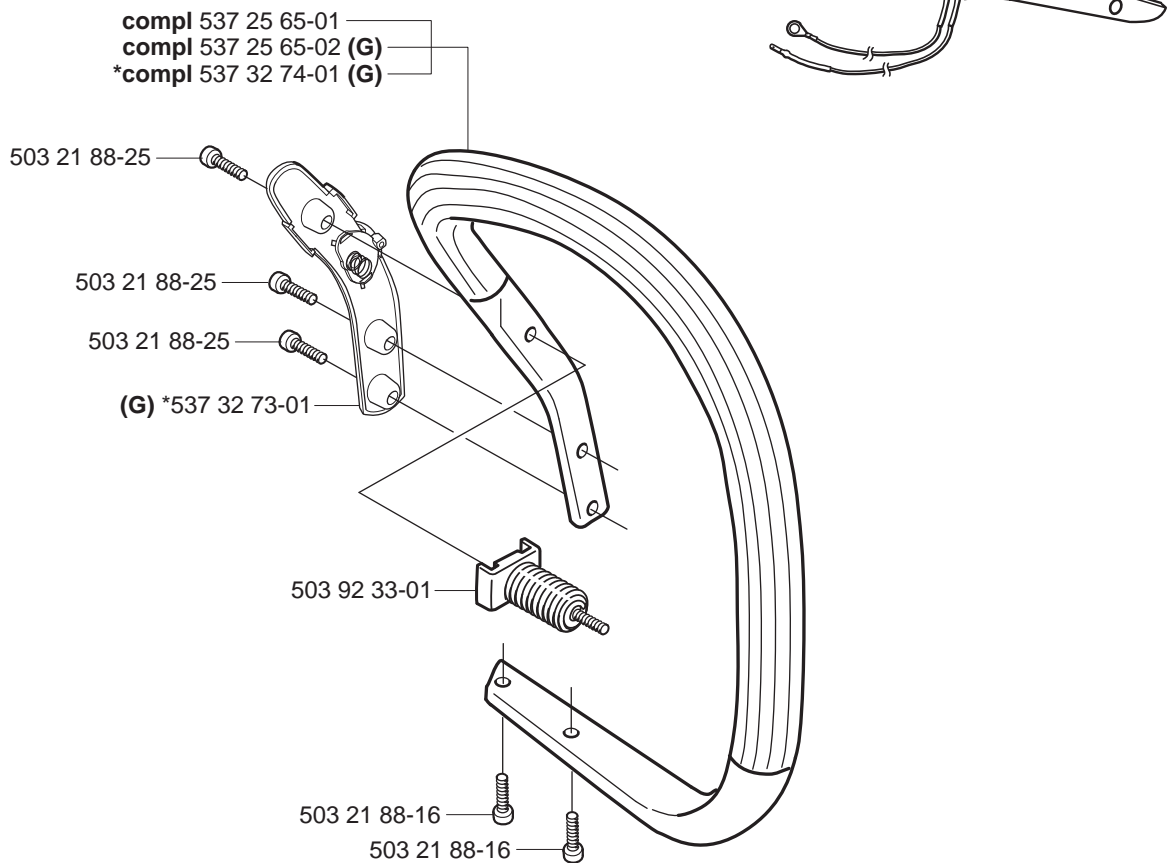
**D****\*compl 537 24 85-02 (357)****D****\*compl 537 15 73-02 (359)**

**E****\*compl 537 21 92-01 (357)****E****\*compl 537 15 68-01 (359)****F****\*compl 503 91 76-01 (EU)****\*\*compl 503 91 75-01 (FF)****\*\*compl 537 10 22-01 (E-tech)****G**

80 $\mu$  537 01 09-01  
 44 $\mu$  537 01 09-02  
 FELT 537 01 09-03

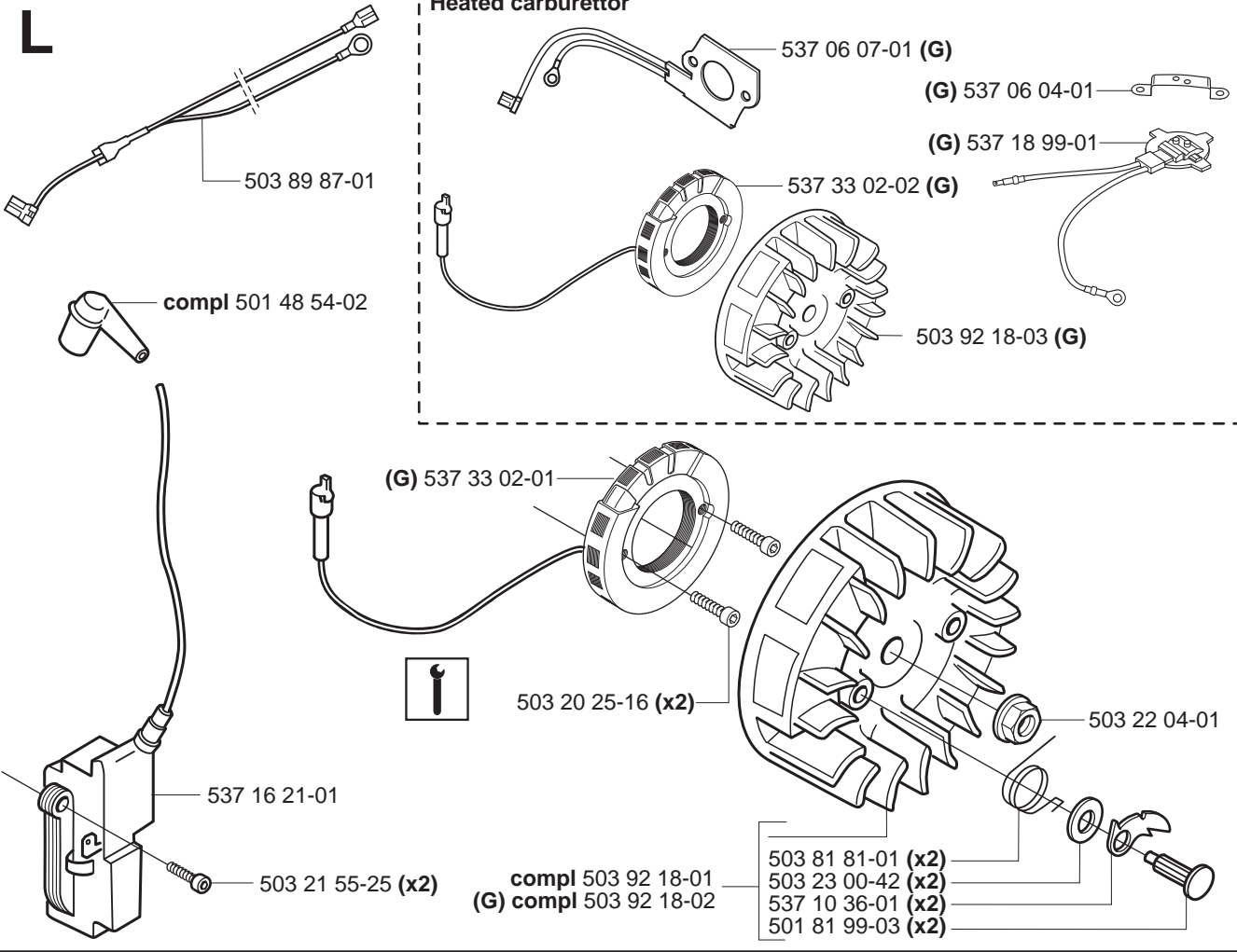


**H****\*compl 503 92 53-71 (357XP, 359)**

**J****\*compl 503 92 30-01****K****(G) \*503 21 38-01 (x2)****(G) \*503 92 61-02**

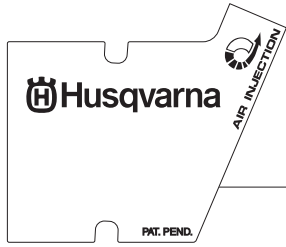
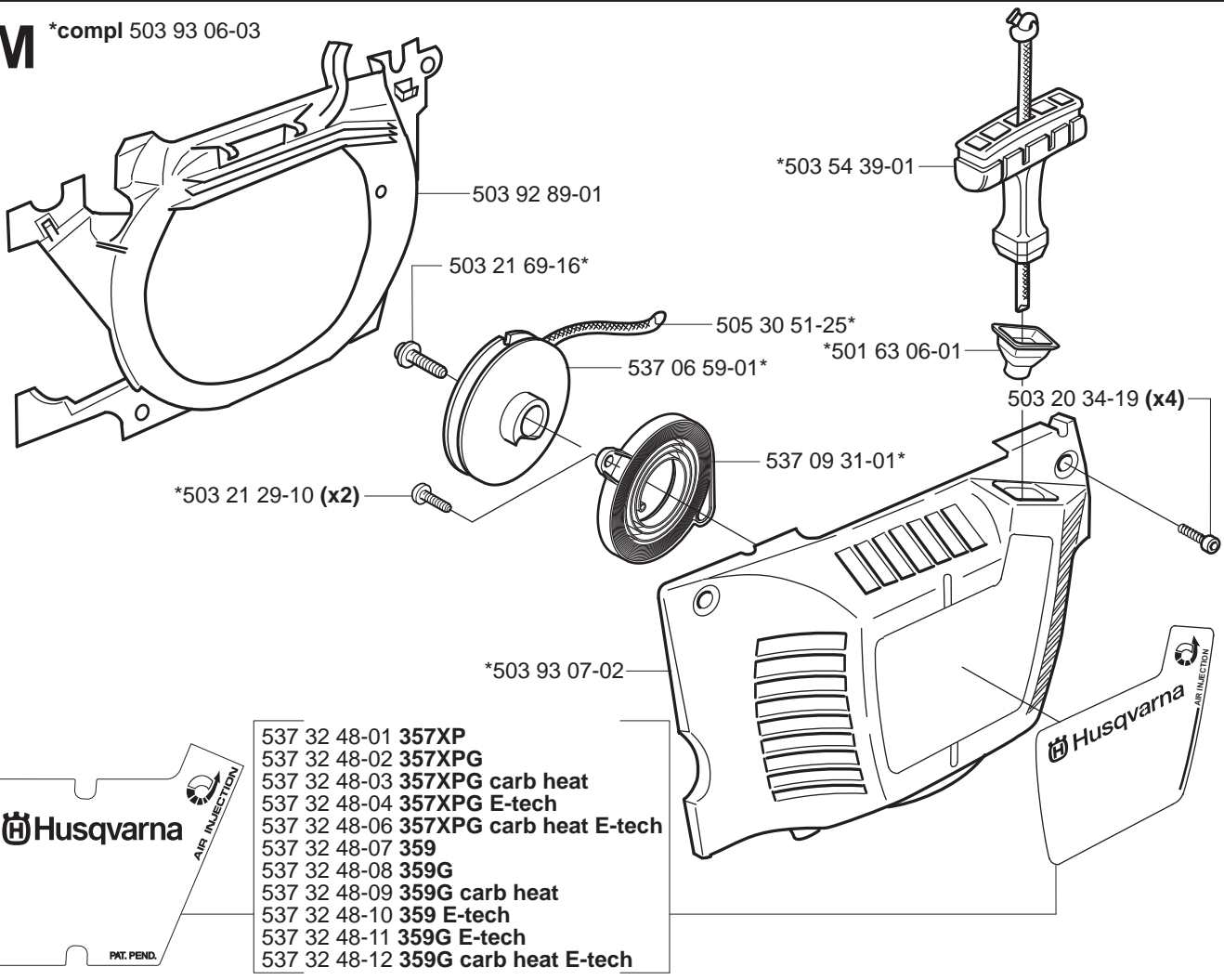
L

Heated carburettor



M

\*compl 503 93 06-03



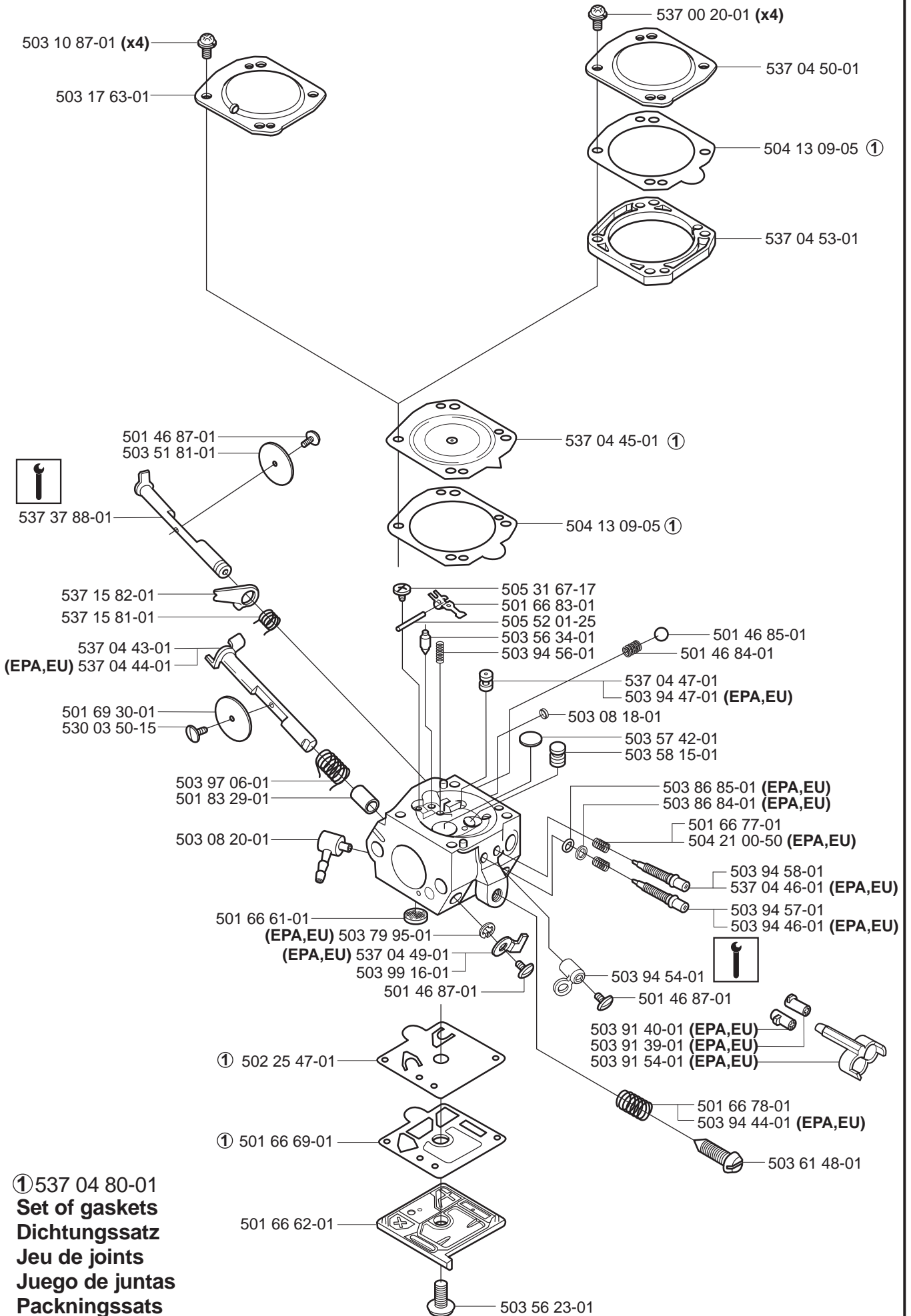
- 537 32 48-01 357XP
- 537 32 48-02 357XPG
- 537 32 48-03 357XPG carb heat
- 537 32 48-04 357XPG E-tech
- 537 32 48-06 357XPG carb heat E-tech
- 537 32 48-07 359
- 537 32 48-08 359G
- 537 32 48-09 359G carb heat
- 537 32 48-10 359 E-tech
- 537 32 48-11 359G E-tech
- 537 32 48-12 359G carb heat E-tech





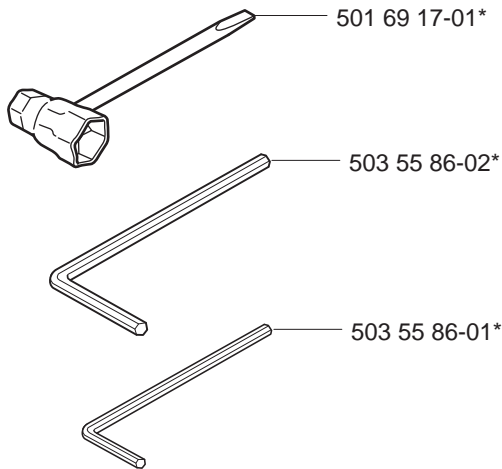
**N** compl 503 28 18-19 Walbro HDA 190A Heated  
 compl 503 28 18-20 Walbro HDA 191A Heated (EPA,EU)

compl 503 28 18-17 Walbro HDA 198A  
 compl 503 28 18-18 Walbro HDA 199A (EPA,EU)

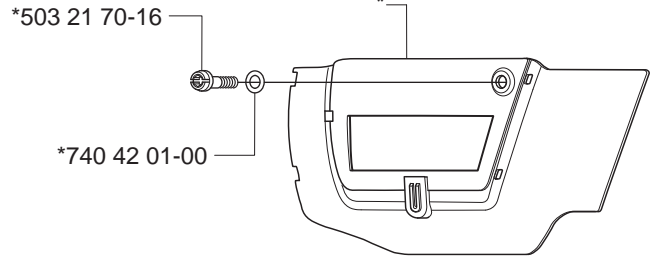


① 537 04 80-01  
**Set of gaskets**  
**Dichtungssatz**  
**Jeu de joints**  
**Juego de juntas**  
**Packningssatz**

**P** Accessories  
 Zubehöre  
 Accessories  
 Accesorios  
 Tillbehör  
 \*compl 503 55 85-01

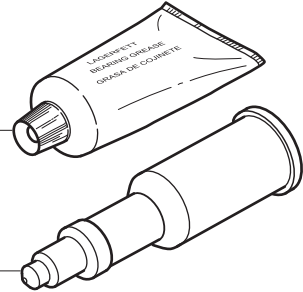


**\*compl 503 97 88-01 WINTER KIT**



\*503 62 12-01

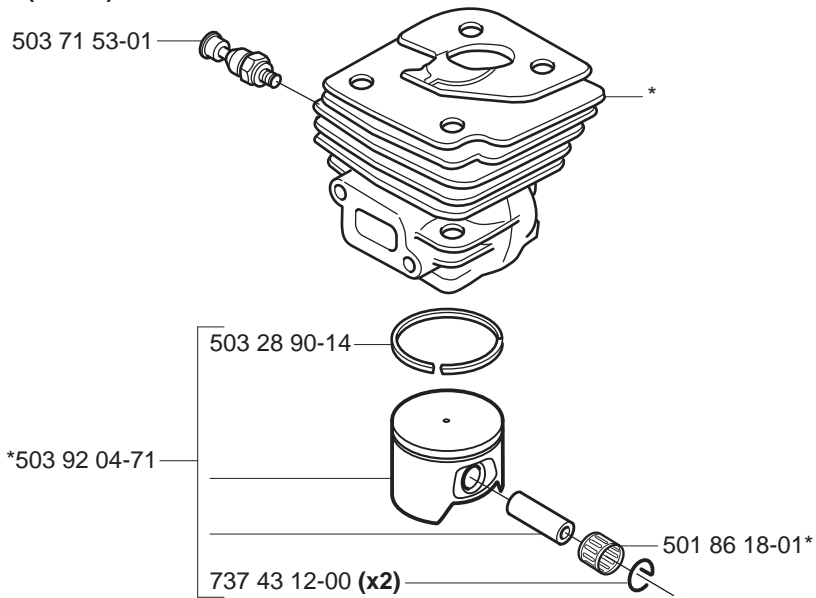
\*501 91 14-01



**Q** 

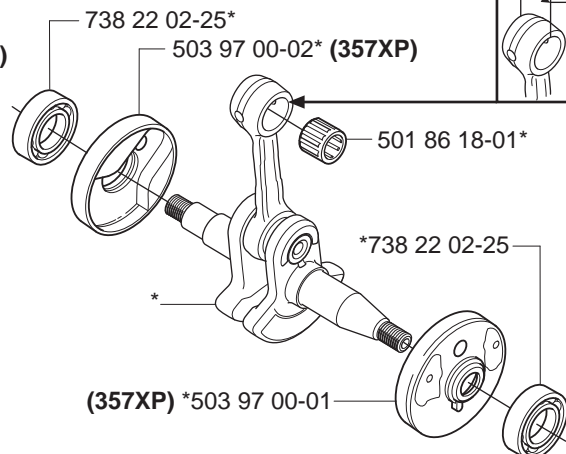
**Up to 020700001 (357XP)**

**\*compl 503 91 98-71 (357XP)**





**\*compl 503 93 31-71 (357XP)**

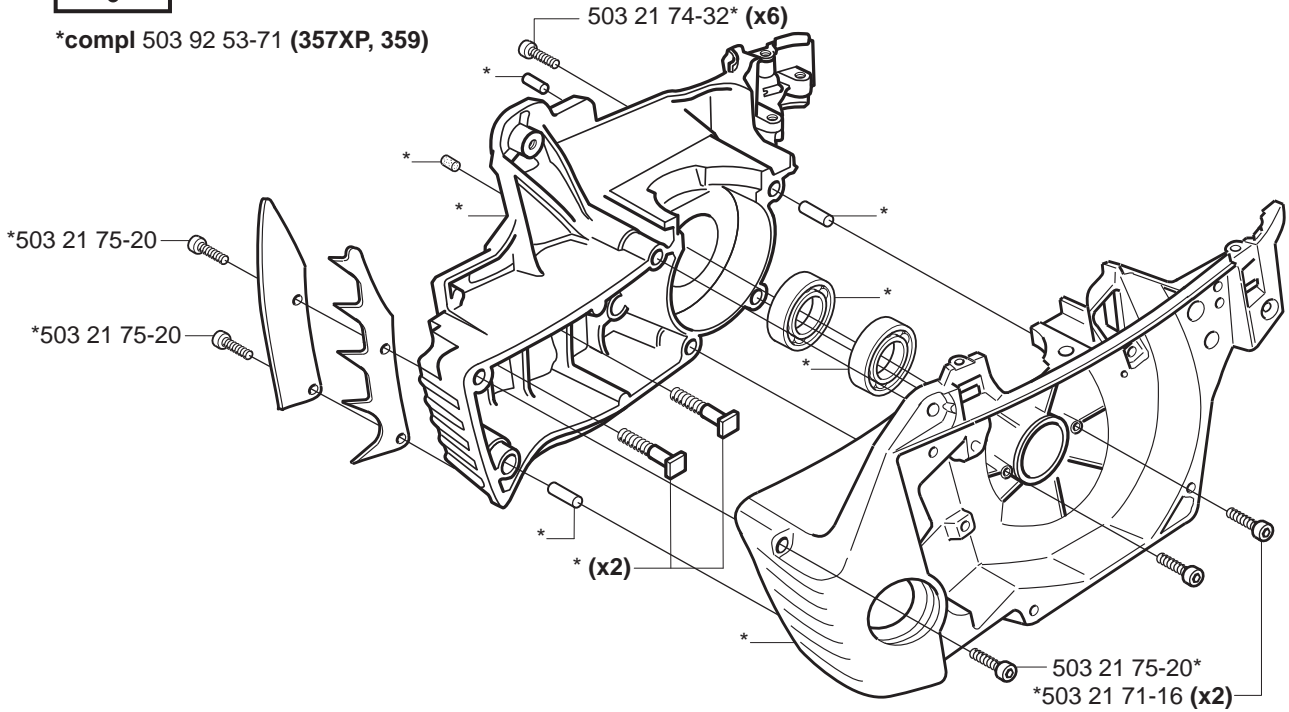


Q



Up to 030500001 (357XP)  
Up to 030500048 (359)

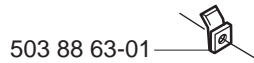
\*compl 503 92 53-71 (357XP, 359)



Q



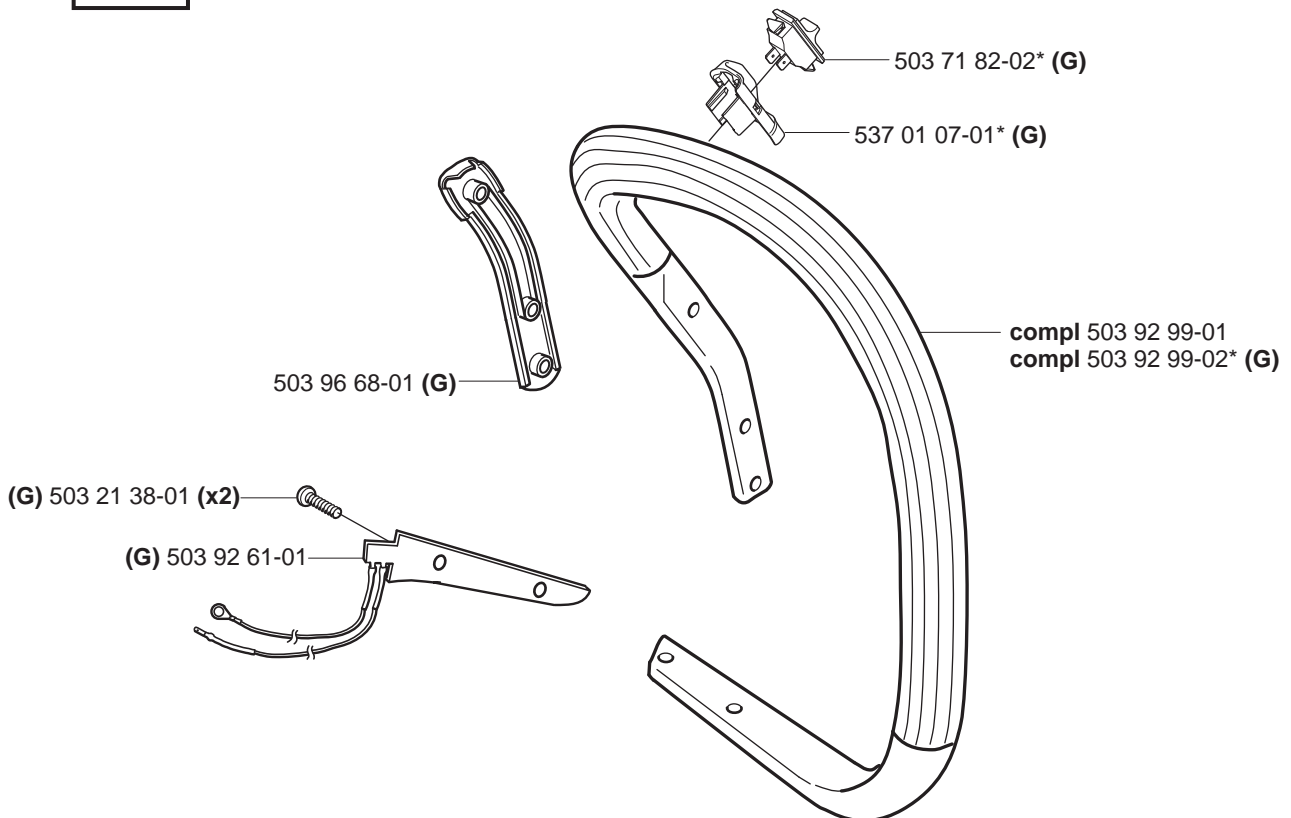
Up to 043900001 (357XP)  
Up to 043900001 (359)



Q



Up to 043800001 (357XP,359)  
Up to 044800001 (357XPG,359G)



**Q**



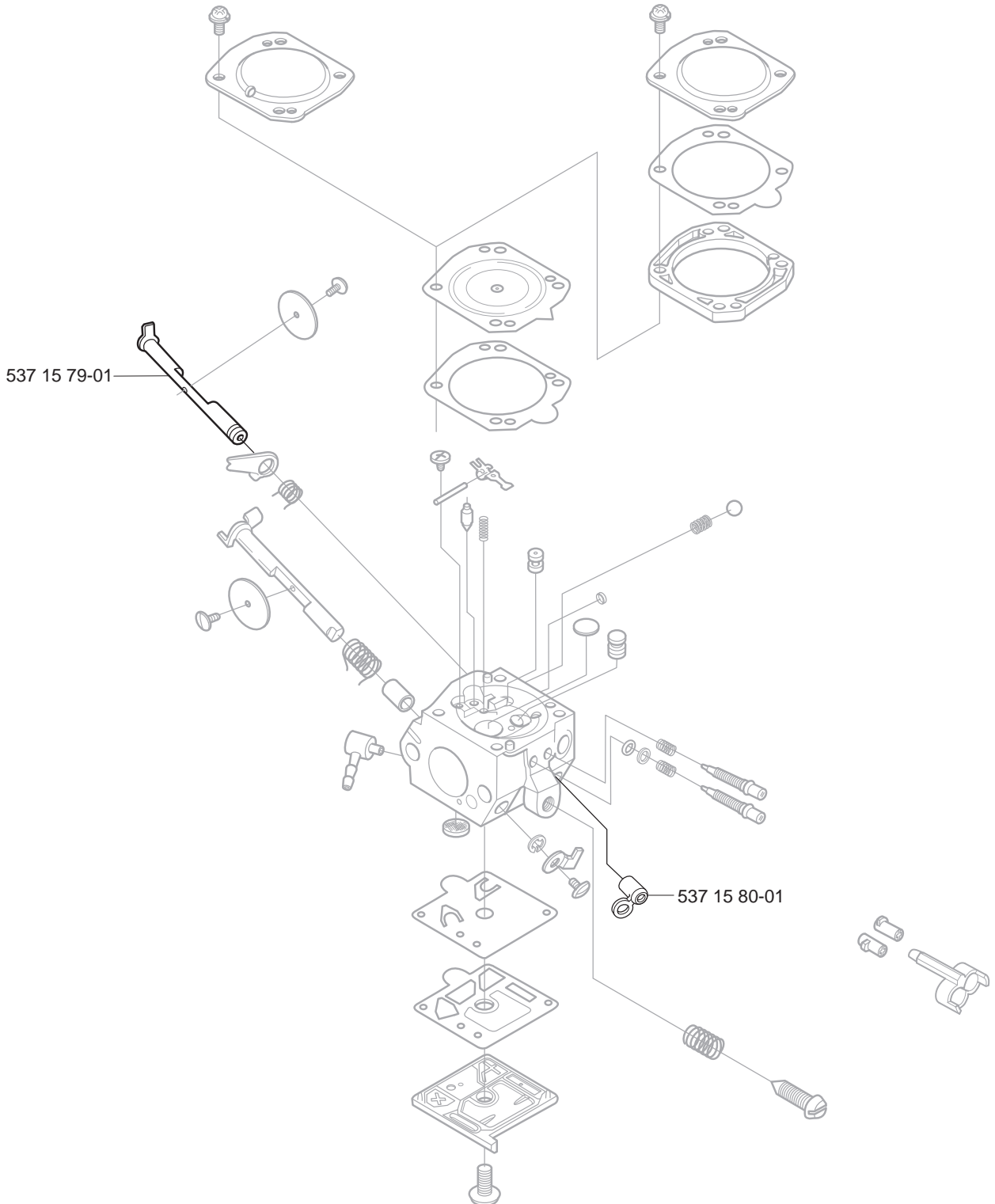
**HDA 191 EPA, HDA 199 EPA:**  
Up to 041000001 (357XP)  
Up to 041000001 (359)

**HDA 198:**  
Up to 041800001 (357XP)  
Up to 041800001 (359)

**HDA 190:**  
Up to 043500001 (357XP)  
Up to 043500001 (359)

compl 503 28 18-09 Walbro HDA 190 Heated  
compl 503 28 18-10 Walbro HDA 191 Heated (EPA)

compl 503 28 18-15 Walbro HDA 198  
compl 503 28 18-16 Walbro HDA 199 (EPA)



# RECOMMENDED PARTS, ACCESSORIES, LUBRICANTS

## 357XP/359 CHAINSAW

	<u>Item</u>	<u>Part Number</u>	<u>Description</u>
<b>Normal Maintenance Parts</b>	Air Filter- Felt	537 01 09-03	
	Air Filter- Nylon (80)	537 01 09-01	
	Air Filter- Nylon (44)	537 01 09-02	
	Spark Plug	503 23 51-08	
	Fuel Filter	503 44 32-01	
	Ignition Module	537 16 21-01	
	Starter Housing Assy.	503 93 06-03	
	Fuel Tank Assy.	503 92 30-01	
	On/Off Switch	503 86 95-02	
	Choke Control	503 92 25-01	
	Front Handle	537 25 65-01	
	Chain Brake Cover	537 10 78-01	
	Chain Brake Handle	537 15 93-02	
	Fuel Cap	537 21 52-03	
	Oil Cap	537 21 52-02	
	Bar Nut	503 22 00-01	
	<u>Item</u>	<u>Part Number</u>	<u>Description</u>
<b>Chainsaw Accessories</b>	Bar	608 00 00-16	HT280-60, 16" Bar (3/8"),(.050")
		608 00 00-19	HT280-68, 18" Bar (3/8"),(.050")
		608 00 00-21	HT280-72, 20" Bar (3/8"),(.050")
	Chain	501 84 25-60	H46-60, 16" Chain (3/8"),(.050")
		501 84 25-68	H46-68, 18" Chain (3/8"),(.050")
		501 84 25-72	H46-72, 20" Chain (3/8"),(.050")
	Carrying Case	100 00 01-07	Orange Carrying Case with 20" Bar Protector
File Kit	505 69 81-91	File Kit includes: File handle, Combination file guide, 2 round files, and 1 flat file. Use with H80 & H46 chains.	
	<u>Item</u>	<u>Part Number</u>	<u>Description</u>
<b>Lubricants</b>	Bar and Chain	610 00 00-14	Bar and Chain Lubricant - 1 Quart
		610 00 00-34	Bar and Chain Lubricant - 1 Gallon
	XP Premium	610 00 00-85	XP Premium - 2.6 oz (1 Gallon Mix)
		610 00 00-82	XP Premium - 6.4 oz (2.5 Gallon Mix)
	<u>Item</u>	<u>Part Number</u>	<u>Description</u>
<b>Protective Apparel</b>	Protective Glasses	605 00 04-15	Lexa- Clear lens
		605 00 04-16	Lexa- Grey lens
	Helmets	505 67 53-15	Helmet System (Husqvarna)
	Protective Gloves	531 30 02-73	Xtreme Duty Work Gloves (Medium)
		531 30 02-74	Xtreme Duty Work Gloves (Large)
		531 30 02-75	Xtreme Duty Work Gloves (X-Large)
	Chaps	605 00 00-13	Pro Forest Apron Chaps (Navy Blue)
605 00 00-14		Pro Forest Apron Chaps (Orange)	

# 357XP, 359 357XP EPA, 359 EPA

Part Number	Description	Square	Part Number	Description	Square
503 92 53-71	CRANKCASE	H	537 10 55-02	PUMP	B
501 66 62-01	COVER, PUMP SIDE	N	537 15 79-01	CHOKE SHAFT	Q
501 91 14-01	GREASE GUN	P	537 21 51-02	COVER	H, J N
503 20 25-16	SCREW	H,L	537 25 65-02	FRONT HANDLE, G	K N
503 21 71-16	SCREW	Q	537 32 48-10	DECAL	M
503 23 00-60	WASHER	B	537 37 88-01	CHOKE SHAFT	N
503 28 18-18	CARBURETOR	G, N EPA, CE	738 22 02-25	BALL BEARING-6202-C3 SKF	E, H, Q
503 54 39-01	STARTER HANDLE	M	501 46 85-01	BALL	N
503 58 15-01	JET	N	501 66 78-01	SPRING	N
503 85 45-01	TRIGGER	J	503 08 20-01	NIPPLE	N
503 86 97-01	SPRING	G	503 21 38-01	SCREW	K, Q
503 89 87-01	CABLE ASSY	L	503 21 75-12	SCREW	H
503 91 75-01	MUFFLER	F	503 25 52-01	NEEDLE BEARING	B
503 92 33-01	INSULATOR	K	503 28 90-14	PISTON RING	D, Q
503 92 89-01	AIR CONDUCTOR	M	503 55 86-01	L-SPANNER	P
503 94 44-01	SPRING	N EPA, CE	503 71 53-01	DECOMPRESSION VALVE	D, Q
503 96 68-01	COVER	Q	503 86 36-01	SCREEN	F
503 99 16-01	IDLER ARM	N	503 89 08-02	JOINT	A
537 01 07-01	FRAME	Q	503 91 29-02	WORM WHEEL	B
537 04 43-01	THROTTLE SHAFT	N	503 92 04-71	PISTON CPL 46 MM	Q
537 06 07-01	ELEMENT	L	503 92 61-01	PLATE (G)	Q
537 10 34-01	CLUTCH	B	503 92 99-02	FRONT HANDLE	Q
537 15 72-02	PISTON	D	503 94 54-01	LEVER	N
537 18 99-01	THERMOSTAT	L	503 97 00-01	CUP	E, Q
537 24 85-02	CYLINDER	D	504 21 00-50	SPRING/COMPRESSION	N EPA, CE
537 32 48-08	DECAL	M	537 01 09-03	AIR FILTER - FELT	G
537 37 04-01	DECAL	A	537 04 46-01	NEEDLE HIGH SPEED	N EPA, CE
735 31 08-20	E-RING 4	A	537 07 12-01	CHAIN TENSIONER	H
501 45 74-02	RIMSPROCKET 7T 0.325	B	537 10 78-01	CHAIN BRAKE	A
501 66 69-01	GASKET, PUMP SIDE	N	537 15 80-01	CHOKE LEVER	Q
502 25 47-01	PUMP DIAPHRAGM	N	537 21 52-02	TANK CAP	H, J N
503 20 34-19	SCREW	M	537 32 09-01	CLAMP	D
503 21 74-12	SCREW	B, H	537 32 48-11	DECAL	M
503 23 00-71	WASHER	A	720 18 25-20	PIN	J
503 28 18-19	CARBURETOR	G, N	740 42 01-00	O-RING	P
503 55 22-01	CYLINDER PLUG	D	501 46 87-01	SCREW	N
503 61 48-01	IDLE SPEED SCREW	N	501 66 83-01	LEVER	N
503 85 52-01	SLEEVE	A	503 10 87-01	SCREW W/ WASHER	N
503 87 54-01	BOLT	H	503 21 39-01	SCREW	H
503 90 56-01	SLEEVE	H	503 21 75-20	SCREW	Q
503 91 76-01	MUFFLER	F	503 25 56-01	NEEDLE BEARING	D, E
503 92 46-01	PIPE	G	503 28 90-29	PISTON RING	D
503 92 90-01	JET	H	503 55 86-02	L-SPANNER	P
503 94 46-01	NEEDLE-LO SPEED	N EPA, CE	503 71 82-02	SWITCH (G)	Q
503 96 75-01	OIL PLUMMET	B	503 86 62-01	PARTITION	G
503 99 86-01	SPRING	J	503 89 15-01	SPRING	B
537 01 09-01	AIR FILTER - NYLON (80)	G	503 91 39-01	LIMITER CAP	N EPA, CE
537 04 44-01	THROTTLE SHAFT	N EPA, CE	503 92 18-01	FLWYWHEEL	L
537 06 59-01	STARTERPULLEY	M	503 92 61-02	HANDLE CIRCUIT	K N
537 10 36-01	PAWL	L	503 93 06-03	STARTER DEVICE COMPLETE	M
537 15 73-02	CYLINDER	D	503 94 56-01	SPRING	N
537 21 50-01	SEALING	H, J N	503 97 00-02	CUP	E, Q
537 25 65-01	FRONT HANDLE	K N	505 27 57-19	SEAL RING	H
537 32 48-09	DECAL	M	537 02 18-01	BUMPER	H
537 37 79-01	CHAIN CATCHER	H N	537 04 47-01	JET	N
737 43 12-00	WRIST PIN CLIP	D, Q	537 08 90-01	PROTECTOR	A
501 46 84-01	SPRING	N	537 10 80-01	COVER	A
501 66 77-01	SPRING	N	537 15 81-01	SPRING	N
503 08 18-01	WASHER	N	537 21 52-03	TANK CAP	J
503 21 29-10	SCREW	M	537 32 48-01	DECAL	M
503 21 74-32	SCREW	Q	537 32 48-12	DECAL	M
503 23 51-08	SPARK PLUG RCJ7Y	D	721 11 64-30	PIN	B
503 28 18-20	CARBURETOR	G, N EPA, CE	501 48 54-02	SPARK PLUG CONN. KIT	L
503 55 85-01	TOOL KIT	P	501 69 17-01	COMBI TOOL	P
503 62 12-01	GREASE	P	503 17 63-01	COVER METERING DIAPHR.	N
503 85 66-01	PLATE	A	503 21 51-01	SCREW	H
503 88 63-01	CHAIN CATCHER	Q	503 21 88-16	SCREW	K
503 91 27-02	WHEEL	B	503 28 18-09	CARBURETOR HDA-190 HEATED	Q
503 91 98-71	CYLINDER	Q	503 40 06-02	HOSE	J N
503 92 53-71	CRANKCASE	Q	503 56 23-01	SCREW	N
503 92 99-01	FRONT HANDLE	Q	503 79 95-01	CLIP	N EPA, CE
503 94 47-01	JET	N EPA, CE	503 86 84-01	WASHER	N EPA, CE
503 96 76-01	GASKET	G	503 89 16-01	SPRING	B
504 13 09-05	GASKET	N	503 91 40-01	LIMITER CAP	N EPA, CE
537 01 09-02	AIR FILTER - NYLON (44)	G	503 92 18-02	FLYWHEEL	L
537 04 45-01	DIAPHRAM	N	503 92 79-01	BASE	H
537 06 93-01	PUMPPISTON	B	503 93 07-02	STARTER HOUSING	M

## 357XP, 359 357XP EPA, 359 EPA

Part Number	Description	Square	Part Number	Description	Square
503 94 57-01	IDLE NEEDLE	N	537 14 65-01	BELLOWS	H
503 97 06-01	RETURN SPRING	N	537 16 21-01	IGNITION MODULE	L
505 30 51-25	STARTER ROPE	M	537 22 29-01	SCREW	D
537 02 26-01	SUPPORT	D	537 32 48-04	DECAL	M
537 04 49-01	STOP	N EPA, CE	537 33 02-01	GENERATOR	L N
537 09 18-01	HOSE	B	725 53 33-55	SCREW MC6S 5X25	D
537 11 32-03	HOSE ASSY	D	501 63 97-01	COVER	C
537 15 82-01	LEVER	N	501 83 29-01	BUSHING	N
537 21 92-01	CRANKSHAFT ASSY	E	503 20 07-76	SCREW	F, H N
537 32 48-02	DECAL	M	503 21 70-10	SCREW	A
537 32 73-01	SWITCH	K N	503 22 04-01	NUT W/ WASHER	L
721 12 07-30	PIN	H	503 28 18-16	CARBURETOR HDA-199	Q
501 59 80-02	68210 RIMSPROCKET	B	503 46 59-01	SPRING	A
501 69 30-01	THROTTLE FLAP	N	503 57 76-02	HOSE	J
503 20 02-20	SCREW	H	503 85 41-01	VIBRATION ABSORBER	J
503 21 55-25	SCREW	L	503 86 93-01	SUPPORT	H
503 21 88-25	SCREW	H, J, K	503 89 30-03	SCREW	A N
503 28 18-10	CARBURETOR HDA-191 HEATED	Q	503 91 66-01	GASKET	D
503 43 65-01	LOCK SPRING	H	503 92 30-01	FUEL TANK COMPL.	J
503 56 34-01	INLET NEEDLE	N	503 92 87-01	BELLOWS	G
503 81 81-01	SPRING	L	503 93 54-01	PLATE	H
503 86 85-01	O-RING	N EPA, CE	503 96 43-01	PROTECTOR	J
503 89 24-01	CATCH	H	503 98 00-71	CLUTCH DRUM	B
503 91 54-01	CAP	N EPA, CE	530 03 50-15	SCREW SHUTTERS	N
503 92 18-03	FLYWHEEL	L	537 04 03-01	VALVE	H
503 92 80-02	CYLINDER COVER	C	537 04 80-01	GASKET SET	N
503 93 31-71	CRANKSHAFT	Q	537 10 11-01	HOSE	B
503 94 58-01	NEEDLE ADJUSTING	N	537 15 27-01	PROTECTOR	A
503 97 38-01	FELLING DOG	H	537 16 69-01	SPRING	B
505 31 67-17	SCREW	N	537 24 45-01	HOSE CLIP	D
537 02 71-01	SCREW	B	537 32 48-06	DECAL	M
537 04 50-01	COVER	N	537 33 02-02	GENERATOR	L N
537 09 31-01	RETURN SPRING	M	725 53 41-55	SCREW MC6S 5X50	G
537 12 68-05	DECOMPRESSION VALVE	D N	501 66 61-01	FUEL INLET SCREEN	N
537 15 93-02	PROTECTOR	A	501 86 18-01	NEEDLE BEARING	Q
537 21 96-02	PISTON ASSY	D	503 20 08-32	SCREW	H
537 32 48-03	DECAL	M	503 21 70-16	SCREW	P
537 32 74-01	FRONT HANDLE	K N	503 23 00-42	WASHER	L
724 12 87-59	SCREW	F	503 28 18-17	CARBURETOR	G, N
501 63 06-01	SLEEVE	M	503 51 81-01	THROTTLE VALVE	N
501 81 99-03	PIN, STARTER CATCH	L	503 57 89-01	HOLDER	H, J N
503 20 07-10	SCREW M5 X 10	F	503 85 44-01	THROTTLE LOCK	J
503 21 69-16	SCREW	M	503 86 95-02	CONTROL	G
503 22 00-01	NUT M8 FLANGE	A	503 89 47-01	BUCKLE	H
503 28 18-15	CARBURETOR HDA-198	Q	503 91 74-01	SUPPPORT	F
503 44 32-01	FUEL FILTER	J	503 92 31-01	SPRING	J
503 57 42-01	WELCH PLUG	N	503 92 88-01	RING	G
503 84 59-01	INSULATING FOIL/CYLINDER COVER	C	503 93 87-02	THROTTLE ROD	G
503 86 92-01	MOVEMENT LIMITER	H	503 96 66-01	GASKET	D
503 89 29-01	PIN	A	503 98 74-01	DECAL	C
503 91 65-01	DEFLECTOR	D	537 00 20-01	SCREW	N
503 92 25-01	CHOKE CONTROL	G	537 04 30-01	BRAKE BAND	A
503 92 85-01	FLANGE	G	537 06 04-01	BRACKET	L
503 93 48-71	CLUTH DRUM	B	537 10 22-01	MUFFLER	F
503 96 27-01	LOOP	G	537 15 68-01	CRANKSHAFT	E
503 97 88-01	PROTECTOR	P	537 18 00-01	PROTECTIVE CAP	D
505 52 01-25	FULCRUM PIN	N	537 24 65-01	HOSE	G
537 02 99-01	PROTECTOR	A	537 32 48-07	DECAL	M
537 04 53-01	PLATE	N	537 35 95-01	FUEL TANK VENT	J N
537 09 61-01	SLEEVE	D	725 53 68-55	SCREW MC6S 6X16	F

IPL, 357 XP, 359, 357 XP EPA, 359 EPA, 2005-02, 544 04 53-01