

316 Electric

Spare parts

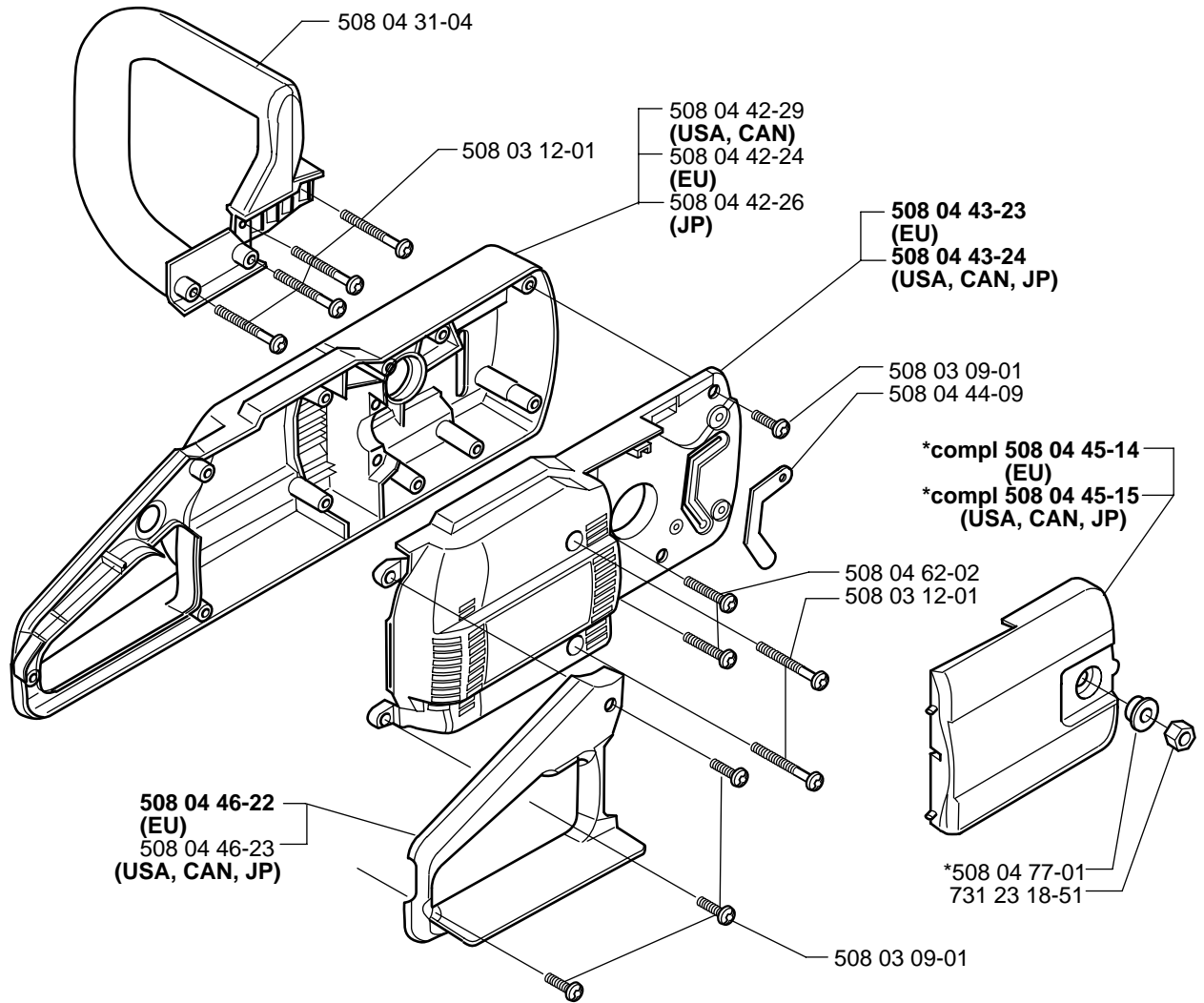
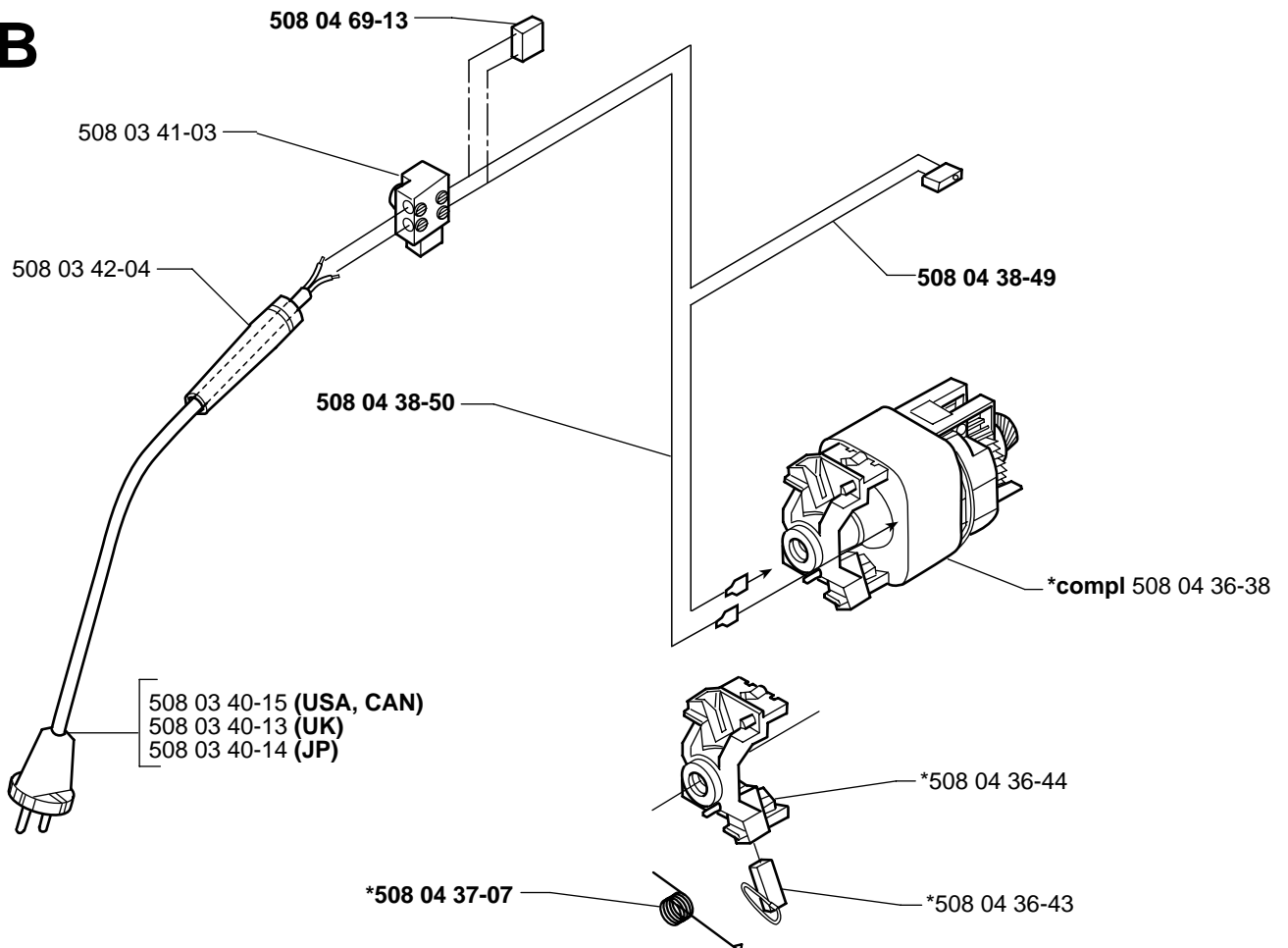
Ersatzteile

Pièces détachées

Reserve onderdelen

Repuestos

Reservdelar

A**B**

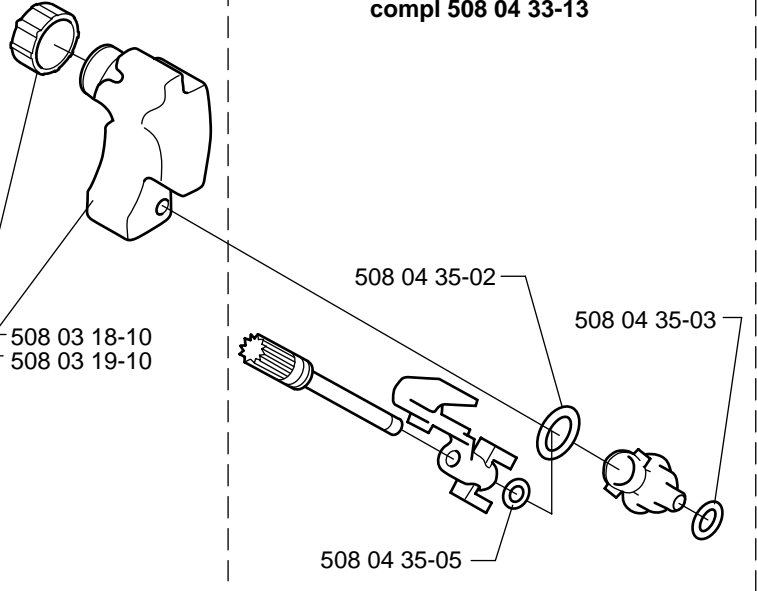
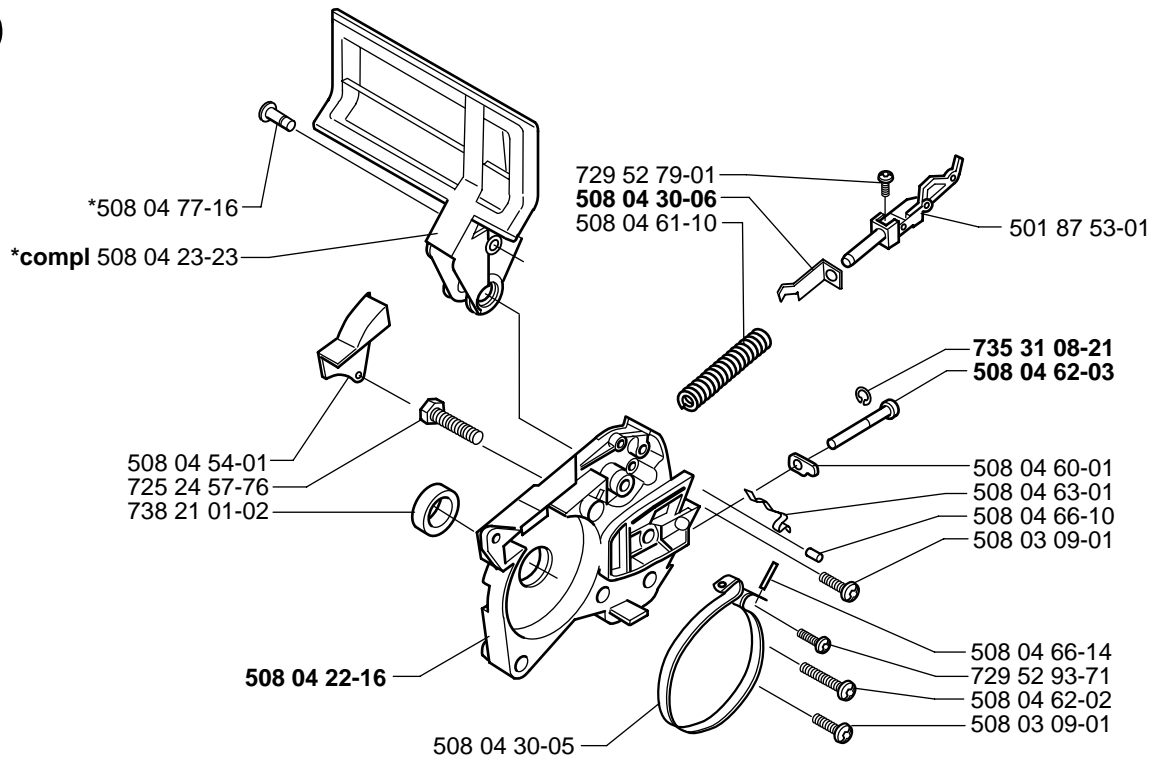
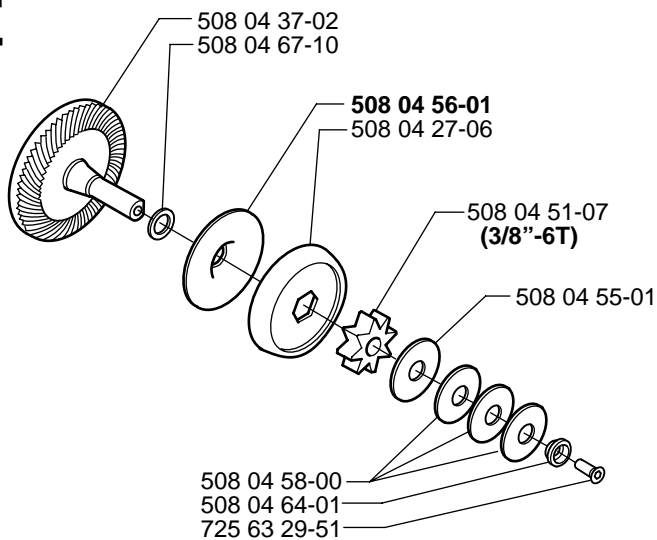
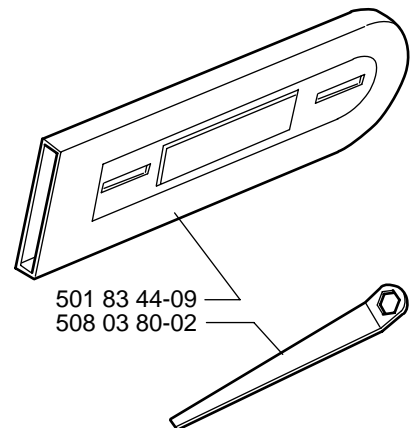
C

H Husqvarna
316 ELECTRIC

508 03 86-12

F

compl 508 04 33-13

**D****E****G**

MODEL 316 Electric

PART NUMBER	SQUARE NOTE	PART NUMBER	SQUARE NOTE	PART NUMBER	SQUARE NOTE	PART NUMBER	SQUARE NOTE
501 83 44-09	G						
501 87 53-01	D						
508 03 09-01	AD						
508 03 12-01	A						
508 03 18-10	F						
508 03 19-10	F						
508 03 40-13	B						
508 03 40-14	B						
508 03 40-15	B						
508 03 41-03	B						
508 03 42-04	B						
508 03 80-02	G						
508 03 86-12	C						
508 04 22-16	D						N
508 04 23-23	D						N
508 04 27-06	E						
508 04 30-05	D						
508 04 30-06	D						N
508 04 31-04	A						
508 04 33-13	F						N
508 04 35-02	F						
508 04 35-03	F						
508 04 35-05	F						
508 04 36-38	B						
508 04 36-43	B						
508 04 36-44	B						
508 04 37-02	E						
508 04 37-07	B						N
508 04 38-49	B						N
508 04 38-50	B						N
508 04 42-24	A						
508 04 42-26	A						
508 04 42-29	A						
508 04 43-23	A						N
508 04 43-24	A						N
508 04 44-09	A						
508 04 45-14	A						N
508 04 45-15	A						N
508 04 46-22	A						N
508 04 46-23	A						
508 04 51-07	E						
508 04 54-01	D						
508 04 55-01	E						
508 04 56-01	E						N
508 04 58-00	E						
508 04 60-01	D						
508 04 61-10	D						
508 04 62-02	AD						
508 04 62-03	D						N
508 04 63-01	D						
508 04 64-01	E						
508 04 66-10	D						
508 04 66-14	D						
508 04 67-10	E						
508 04 69-13	B						N
508 04 77-01	A						
508 04 77-16	D						
725 24 57-76	D						
725 63 29-51	E						
729 52 79-01	D						
729 52 93-71	D						
731 23 18-51	A						
735 31 08-21	D						N
738 21 01-02	D						

N = New part
 Neues teil
 Nouvelle piece
 Nueva pieza
 Ny detalj