

2165, 2165 EPA

Spare parts

Replaces

Ersatzteile

Ersetzt

Pièces détachées

Remplace

Reserve onderdelen

Vervangt

Repuestos

Reemplaza

Reservdelar

Ersätter

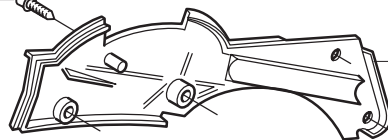
106 24 44-64

A****compl 503 71 93-04**

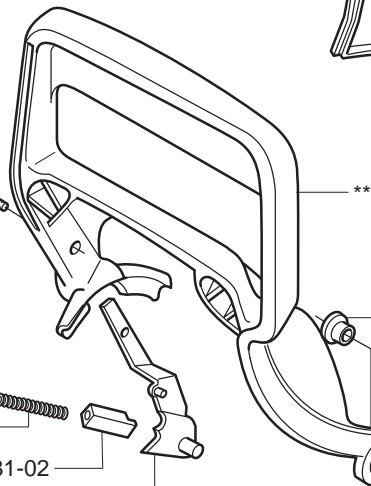
503 20 02-12 (x4)



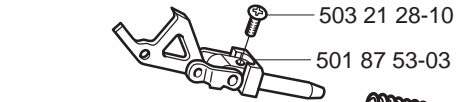
503 98 74-01**



503 75 11-03



503 20 25-12



503 21 28-10

501 87 53-03

503 70 99-01

503 79 27-01



503 75 22-01

503 43 65-01

503 83 81-02

537 00 87-02

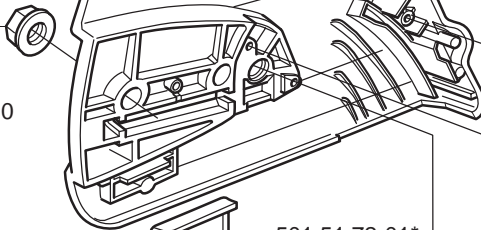
***compl 537 07 20-01**

*

Jonsered
TURBO***537 07 20-71**

503 70 12-03

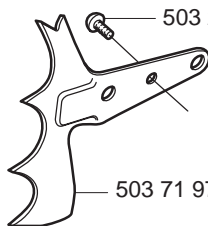
503 22 00-01 (x2)



503 76 29-02

503 89 70-01

503 21 28-10



503 21 28-10

503 71 97-01

501 51 72-01*

740 48 07-02

503 23 00-63

537 07 94-01

503 21 28-10* (x2)

***537 04 41-02**

537 01 74-01

503 99 83-01

537 07 95-01

503 23 00-66

537 01 68-01

B****compl 503 93 24-71 (3/8"x7T)******compl 503 93 24-72 (3/8"x8T)*****compl 503 52 13-01*****503 62 49-01*****503 52 15-01**

503 75 61-02

725 53 29-56

503 75 24-01
503 27 21-01

503 23 00-59

503 77 43-01

503 64 47-01

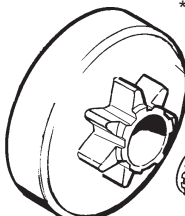
504 30 00-26

503 23 00-04*

501 61 58-01*

503 81 30-01*

503 81 13-01*

****3/8"x7T 501 59 80-02******3/8"x8T 505 30 36-61******503 43 20-01**********compl 503 86 17-71 3/8"x7T**

503 43 20-01

503 74 43-01

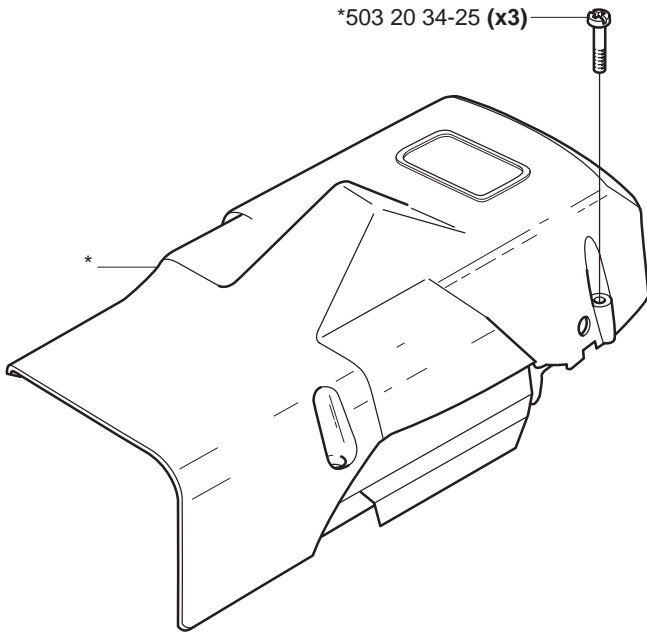
compl 503 74 44-01

503 42 67-01

501 54 41-02

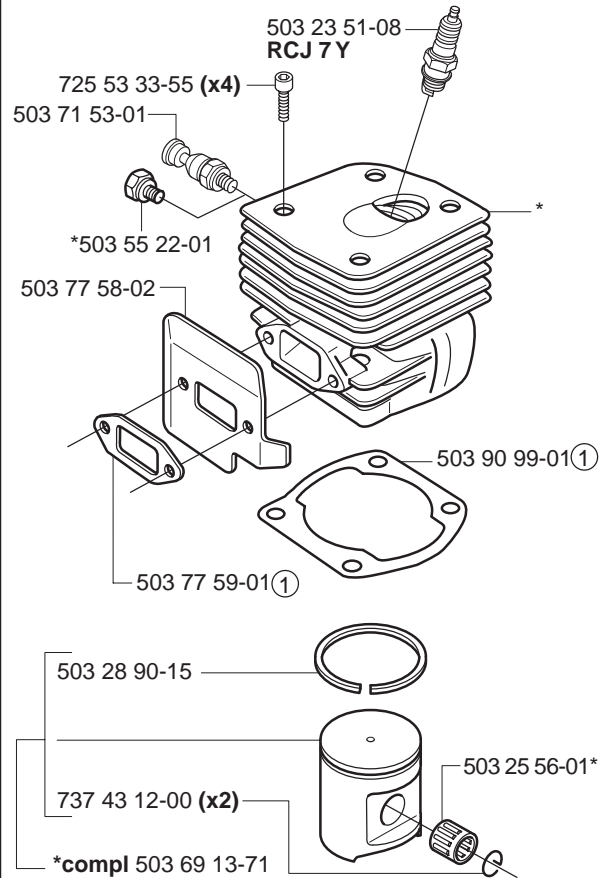
C

*compl 503 69 74-01

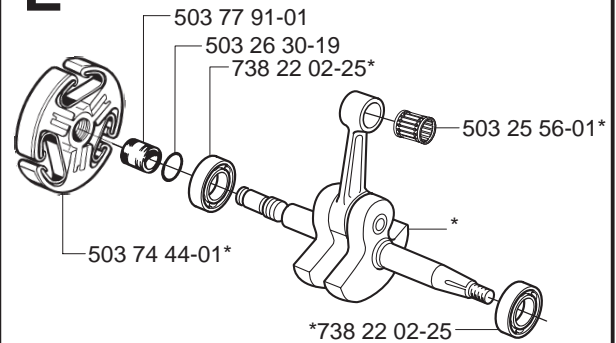
**D**

*compl 503 69 10-73

*compl 503 93 90-72 EPA

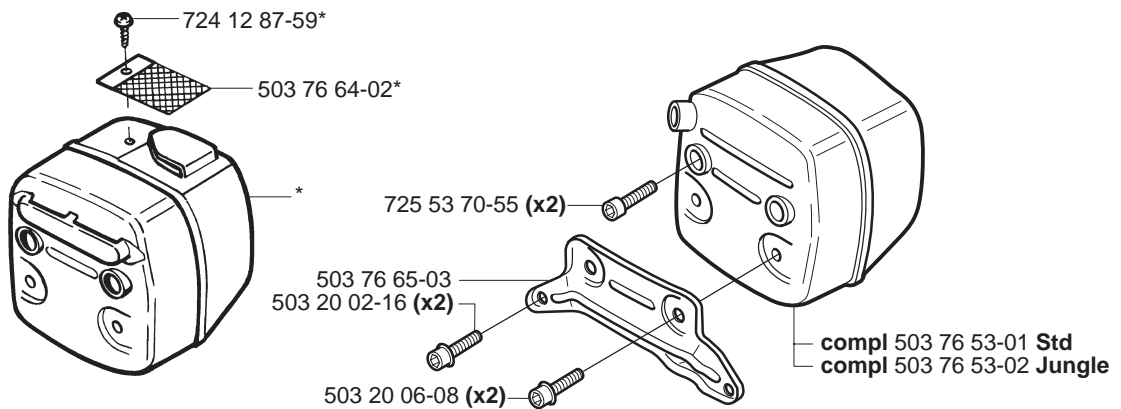
**E**

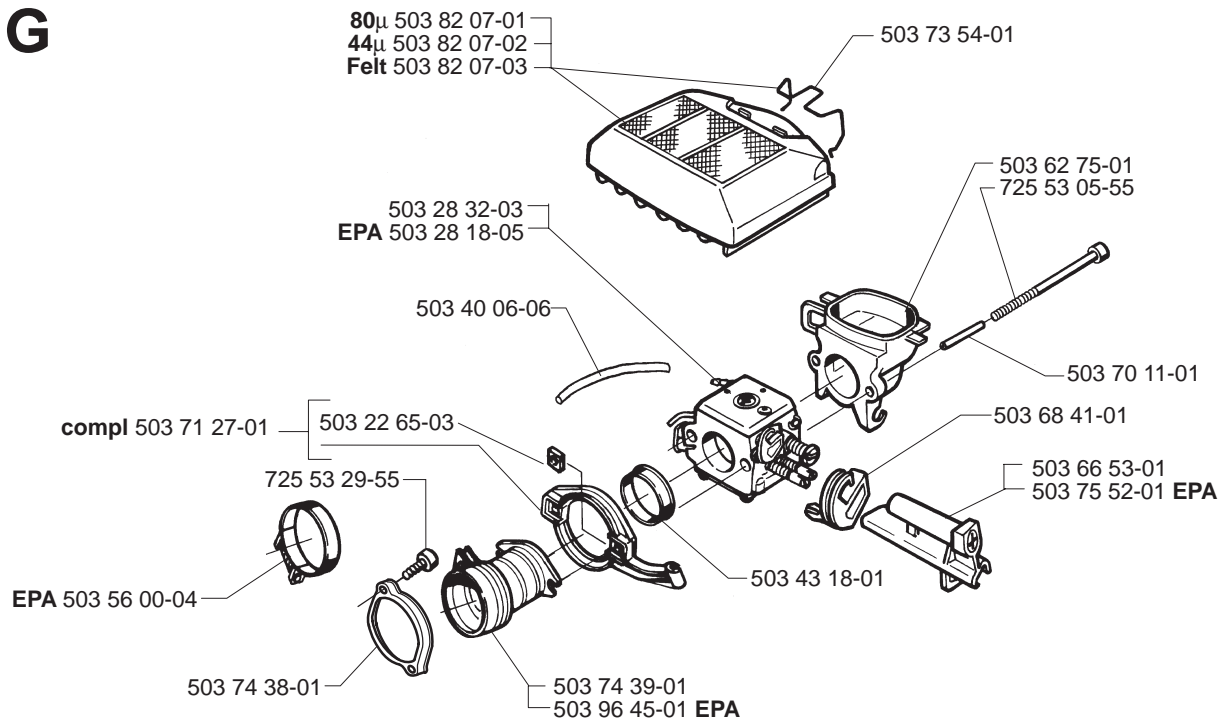
*compl 503 74 87-01

**F**

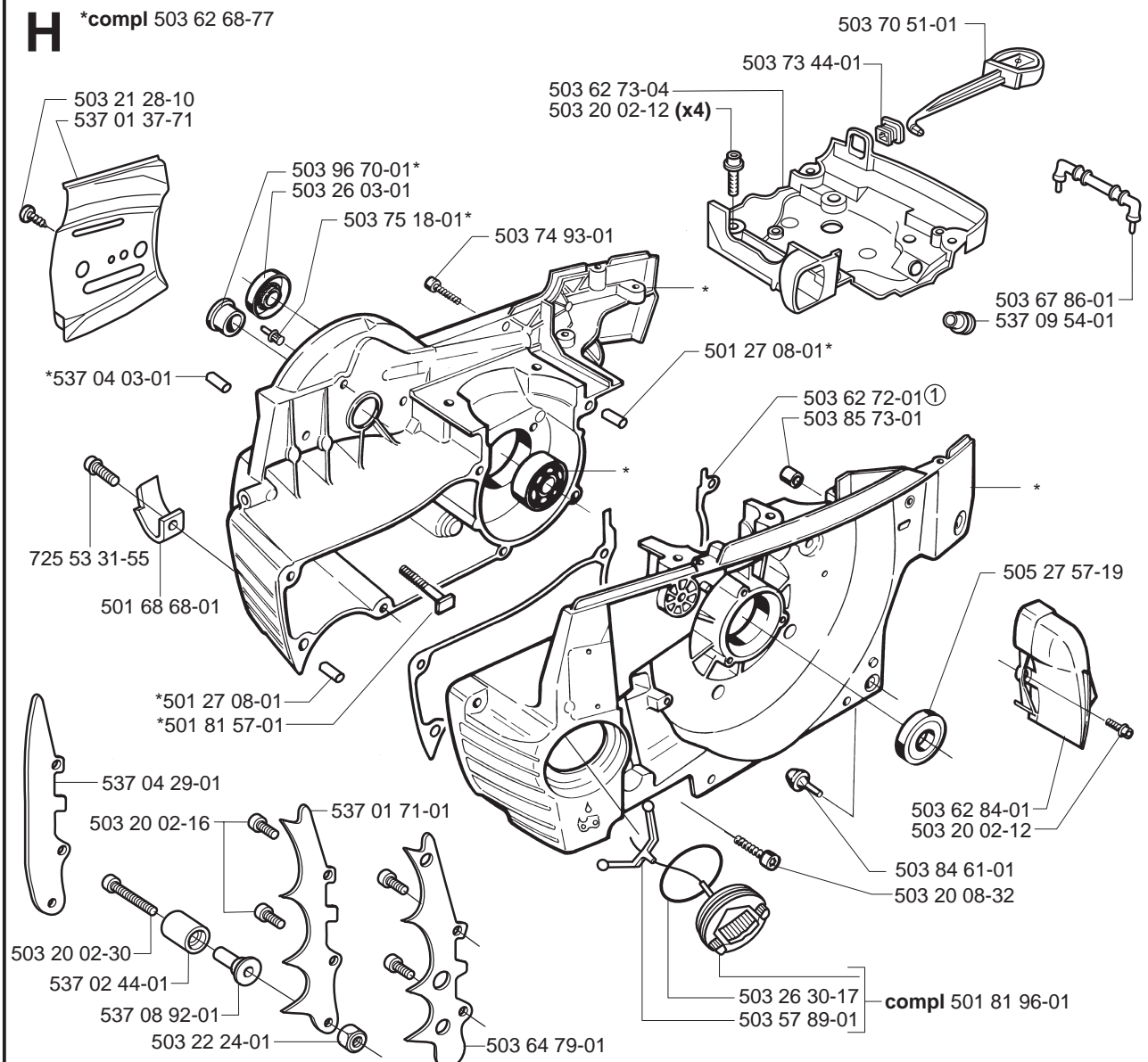
compl 503 76 52-01 FG

*compl 503 76 54-02 DF



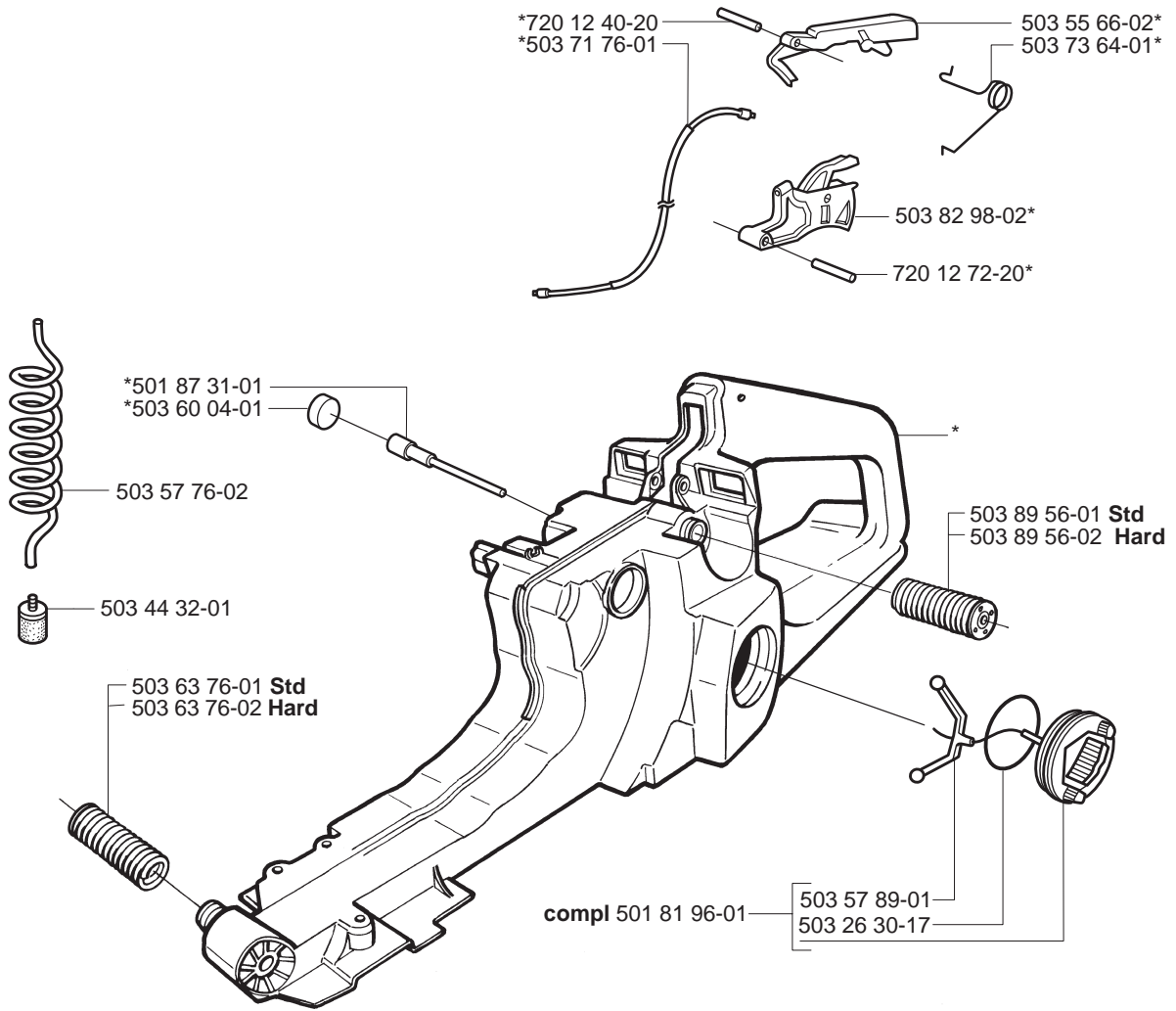
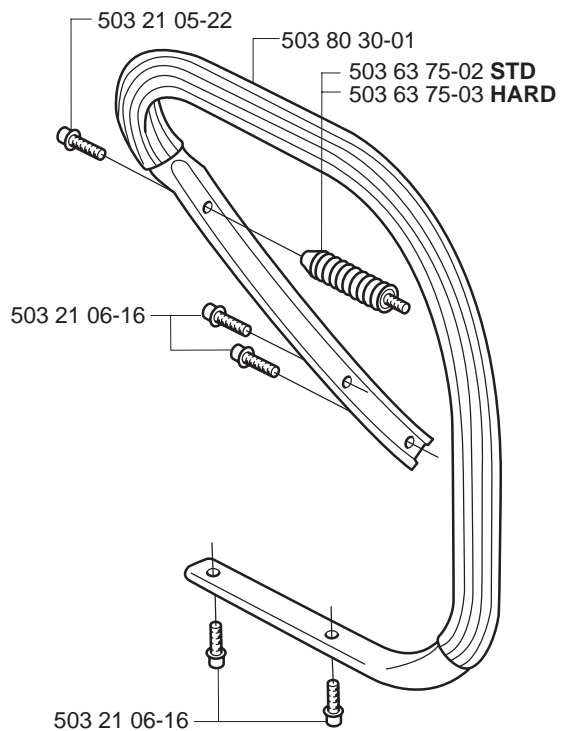
G**H**

*compl 503 62 68-77

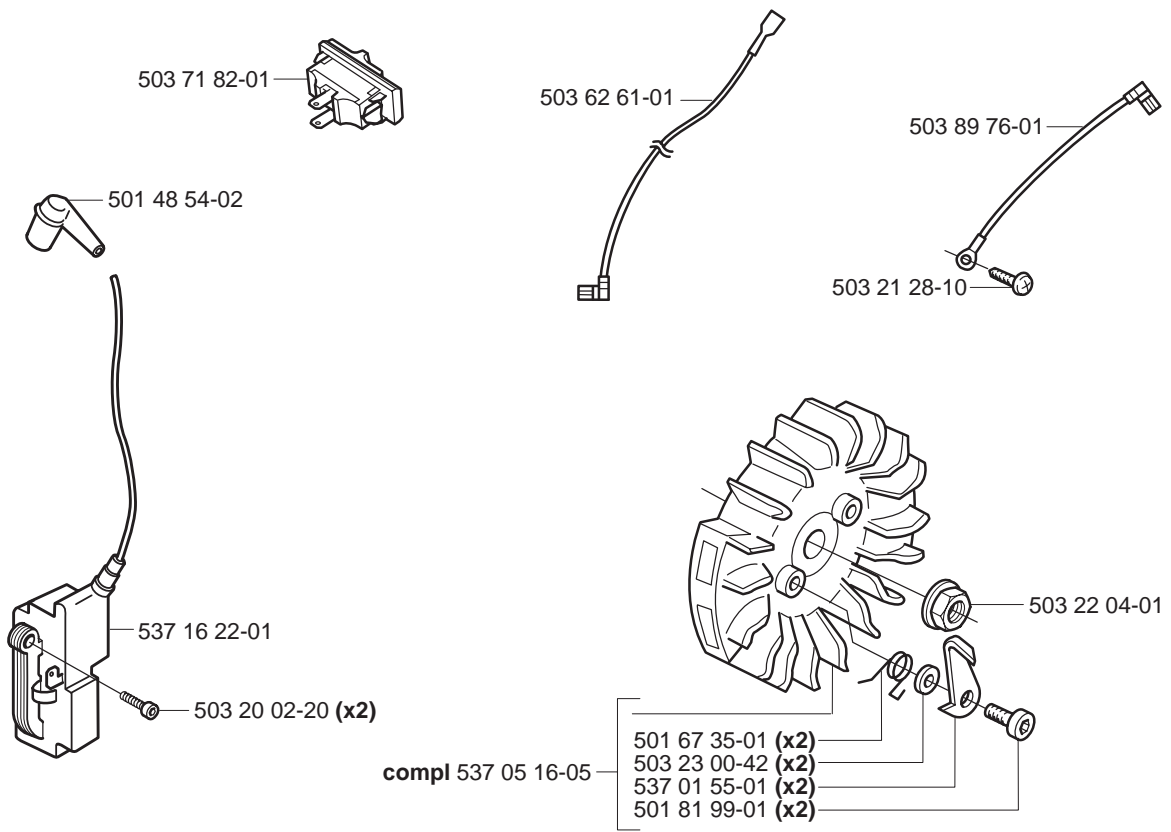


J

*compl 503 71 91-71

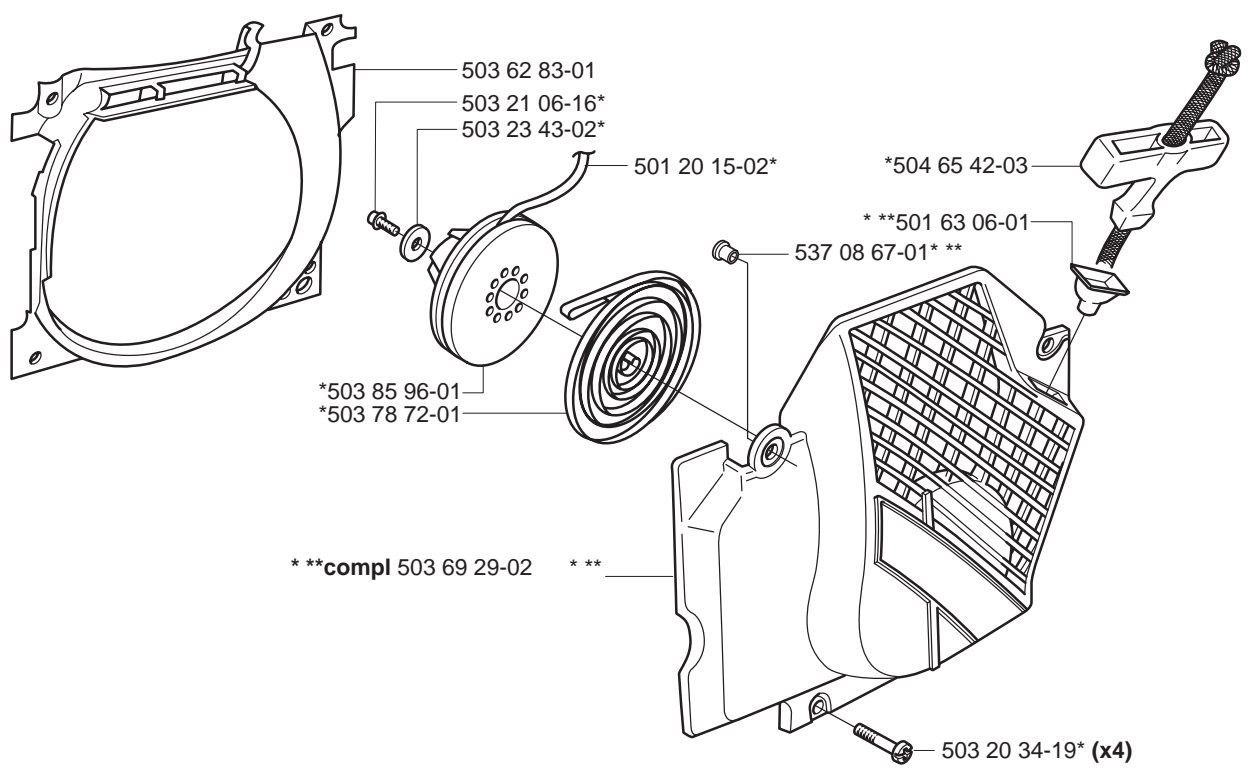
**K**

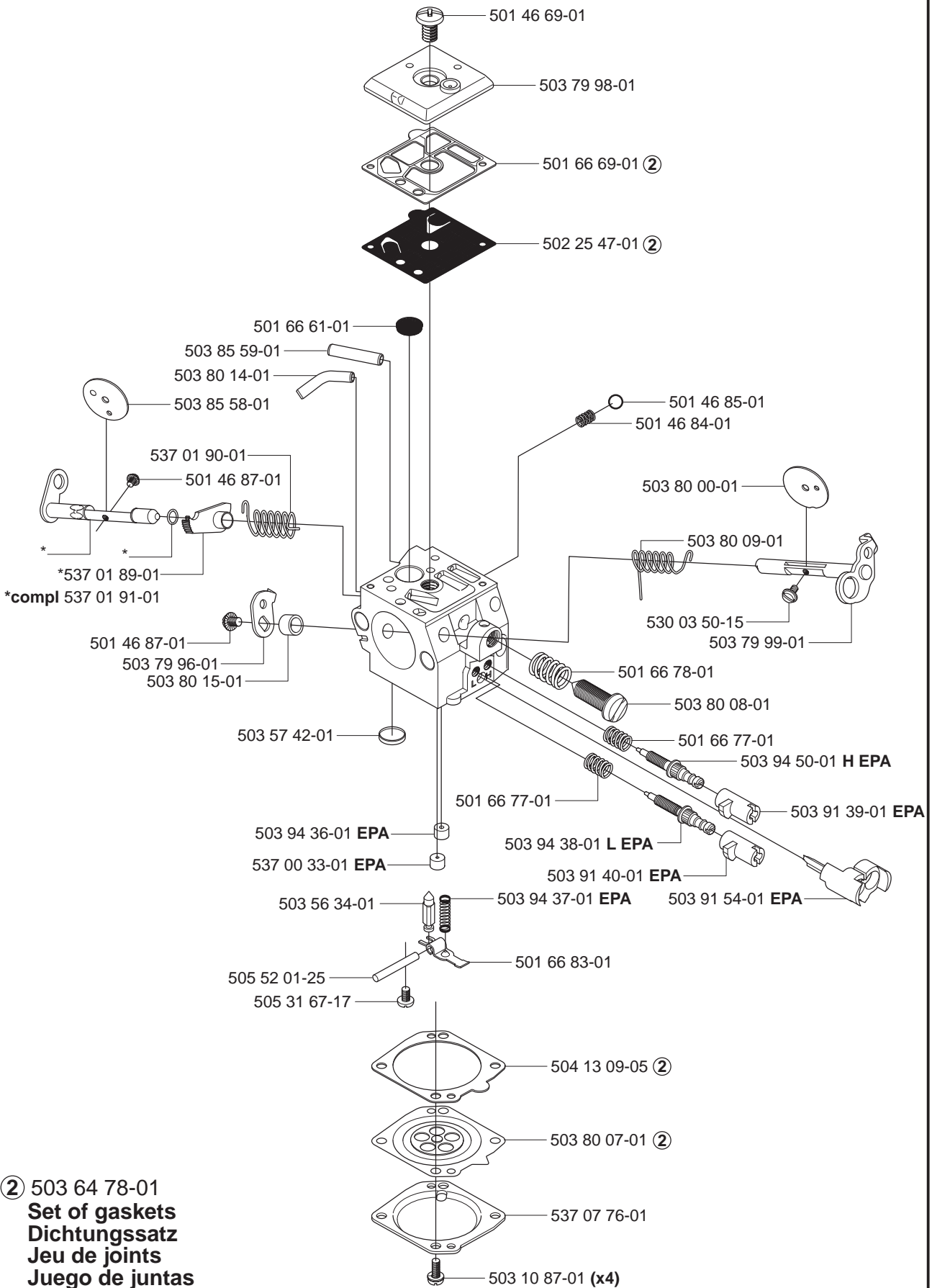
L



M

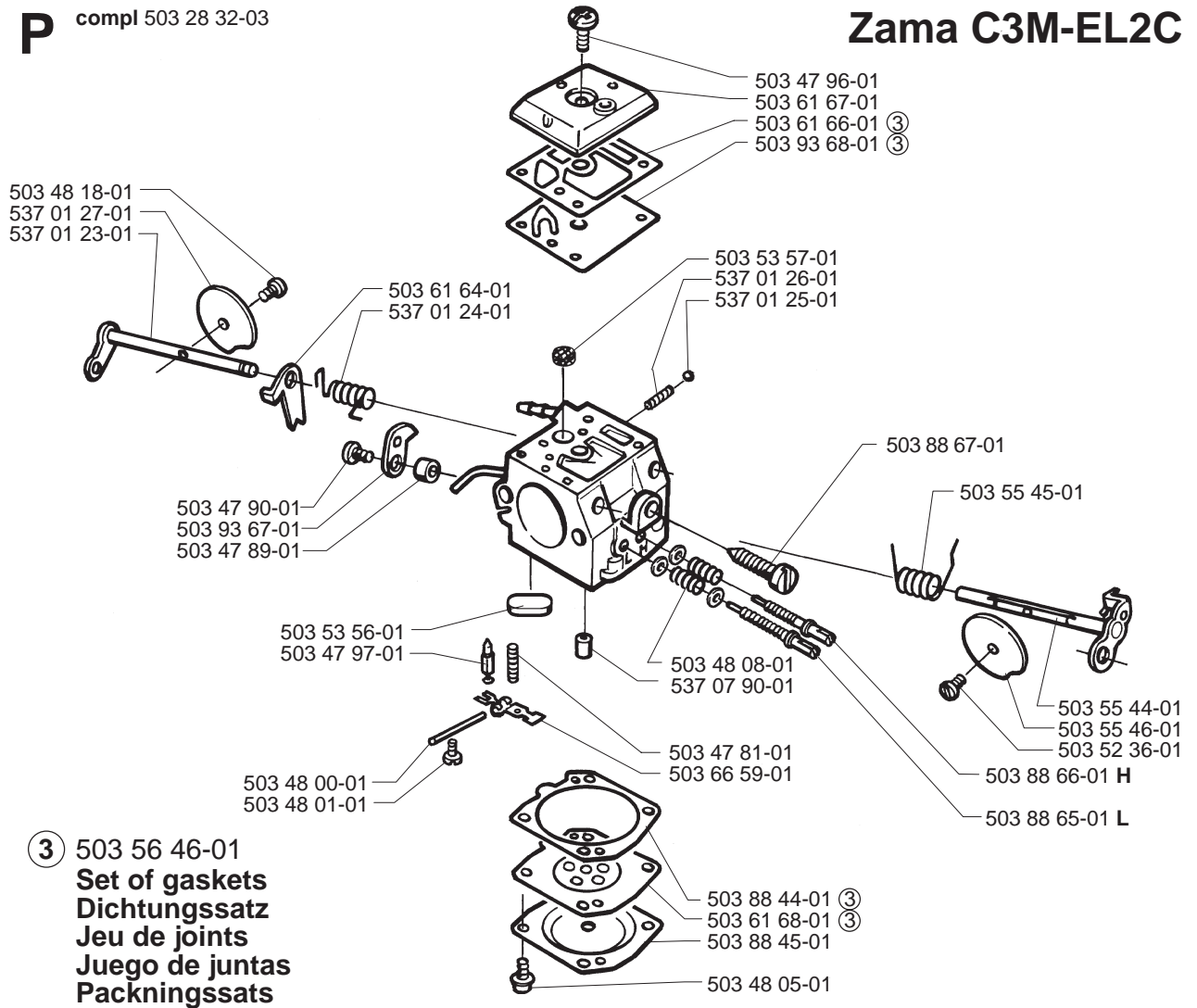
*compl 503 69 28-71





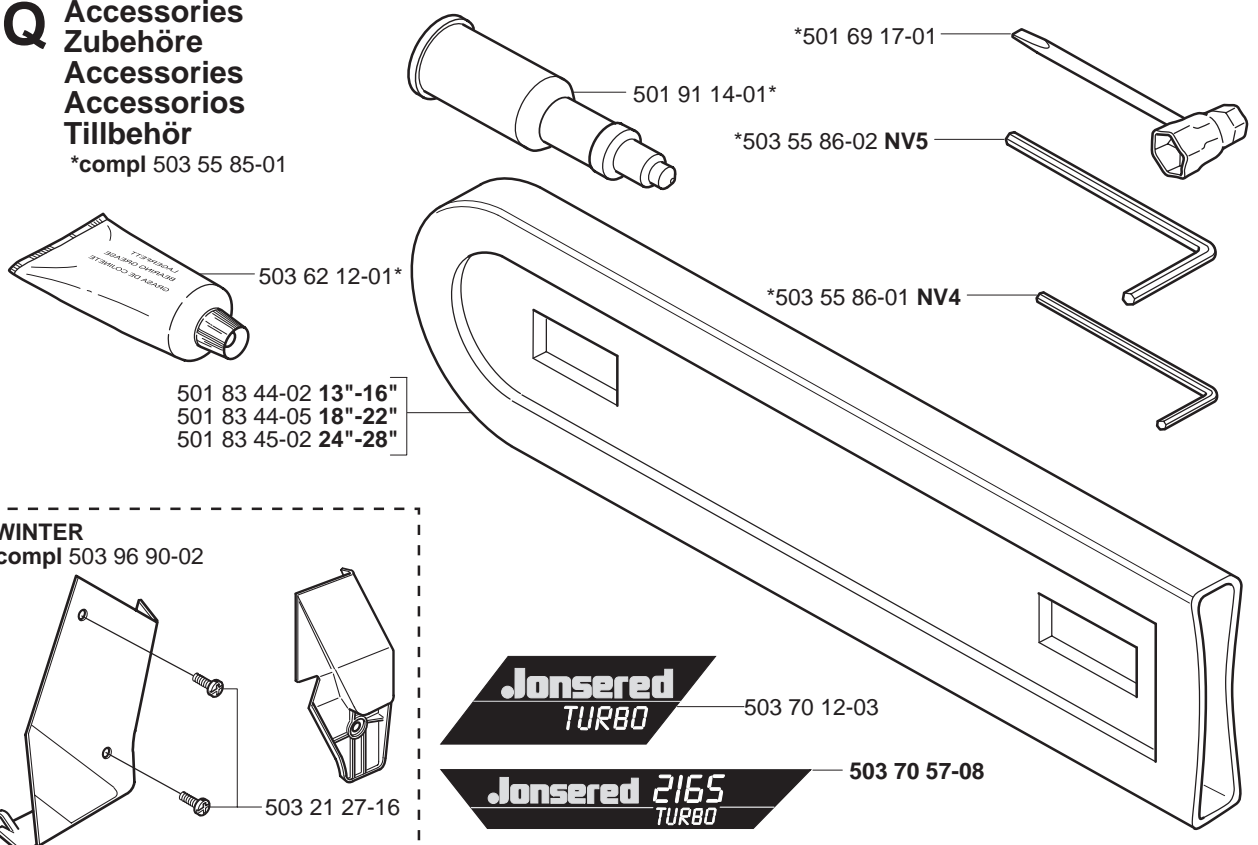
P compl 503 28 32-03

Zama C3M-EL2C

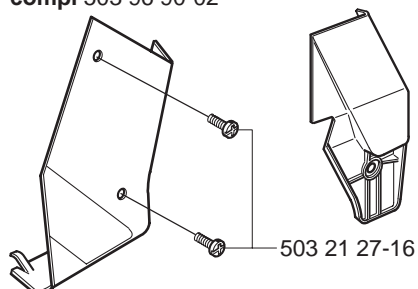


Q **Accessories**
Zubehöre
Accessories
Accesorios
Tillbehör

*compl 503 55 85-01



WINTER
compl 503 96 90-02



MODEL 2165, 2165 EPA

PART NUMBER	SQUARE	NOTE	PART NUMBER	SQUARE	NOTE	PART NUMBER	SQUARE	NOTE	PART NUMBER	SQUARE	NOTE
501 20 15-02	M		503 47 89-01	P		503 71 97-01	A		503 93 90-72	D	EPA
501 27 08-01	H		503 47 90-01	P		503 73 44-01	H		503 94 36-01	N	EPA,N
501 46 69-01	N	N	503 47 96-01	P		503 73 54-01	G		503 94 37-01	N	EPA,N
501 46 84-01	N	N	503 47 97-01	P		503 73 64-01	J		503 94 38-01	N	EPA,N
501 46 85-01	N	N	503 48 00-01	P		503 74 38-01	G		503 94 50-01	N	EPA,N
501 46 87-01	N	N	503 48 01-01	P		503 74 39-01	G		503 96 45-01	G	EPA
501 48 54-02	L		503 48 05-01	P		503 74 43-01	B		503 96 70-01	H	
501 51 72-01	A		503 48 08-01	P		503 74 44-01	B,E		503 96 90-02	Q	
501 54 41-02	B		503 48 18-01	P		503 74 87-01	E	N	503 98 74-01	A	
501 59 80-02	B		503 52 13-01	B		503 74 93-01	H		503 99 83-01	A	
501 61 58-01	B		503 52 15-01	B		503 75 11-03	A		504 13 09-05	N	2,N
501 63 06-01	M	N	503 52 36-01	P		503 75 18-01	H		504 30 00-26	B	
501 66 61-01	N	N	503 53 56-01	P		503 75 22-01	A		504 65 42-03	M	
501 66 69-01	N	2,N	503 53 57-01	P		503 75 24-01	B		505 27 57-19	H	
501 66 77-01	N	N	503 55 22-01	D		503 75 52-01	G	EPA	505 30 36-61	B	
501 66 78-01	N	N	503 55 44-01	P		503 75 61-02	B		505 31 67-17	N	N
501 66 83-01	N	N	503 55 45-01	P		503 76 29-02	A		505 52 01-25	N	N
501 67 35-01	L		503 55 46-01	P		503 76 52-01	F		530 03 50-15	N	N
501 68 68-01	H		503 55 66-02	J		503 76 53-01	F		537 00 33-01	N	EPA,N
501 69 17-01	Q		503 55 85-01	Q		503 76 53-02	F		537 00 87-02	A	
501 81 57-01	H		503 55 86-01	Q		503 76 54-02	F		537 01 23-01	P	
501 81 96-01	H,J		503 55 86-02	Q		503 76 64-02	F		537 01 24-01	P	
501 81 99-01	L		503 56 00-04	G	EPA	503 76 65-03	F	N	537 01 25-01	P	
501 83 44-02	Q		503 56 34-01	N	N	503 77 43-01	B		537 01 26-01	P	
501 83 44-05	Q		503 56 46-01	P	3=compl	503 77 52-01	A		537 01 27-01	P	
501 83 45-02	Q		503 57 42-01	N	N	503 77 58-02	D		537 01 37-71	H	
501 87 31-01	J	N	503 57 76-02	J		503 77 59-01	D	1	537 01 55-01	L	N
501 87 53-03	A		503 57 89-01	H,J		503 77 91-01	E	N	537 01 68-01	A	
501 91 14-01	Q		503 60 04-01	J	N	503 78 72-01	M		537 01 71-01	H	
502 25 47-01	N	2,N	503 61 64-01	P		503 79 27-01	A		537 01 74-01	A	
503 10 87-01	N	N	503 61 66-01	P	3	503 79 96-01	N	N	537 01 89-01	N	N
503 20 02-12	A,H		503 61 67-01	P		503 79 98-01	N	N	537 01 90-01	N	N
503 20 02-16	F,H		503 61 68-01	P	3	503 79 99-01	N	N	537 01 91-01	N	N
503 20 02-20	L		503 62 12-01	Q		503 80 00-01	N	N	537 02 44-01	H	
503 20 02-30	H		503 62 49-01	B		503 80 07-01	N	2,N	537 04 03-01	H	
503 20 06-08	F	N	503 62 61-01	L		503 80 08-01	N	N	537 04 29-01	H	
503 20 08-32	H		503 62 68-77	H		503 80 09-01	N	N	537 04 41-02	A	
503 20 25-12	A		503 62 72-01	H	1	503 80 14-01	N	N	537 05 16-05	L	N
503 20 34-19	M		503 62 73-04	H		503 80 15-01	N	N	537 07 20-01	A	
503 20 34-25	C		503 62 75-01	G		503 80 30-01	K		537 07 20-71	A	
503 21 05-22	K		503 62 83-01	M		503 81 13-01	B		537 07 76-01	N	N
503 21 06-16	K,M		503 62 84-01	H		503 81 30-01	B		537 07 90-01	P	
503 21 27-16	Q		503 63 75-02	K		503 82 07-01	G		537 07 94-01	A	
503 21 28-10	A,H,L		503 63 75-03	K		503 82 07-02	G		537 07 95-01	A	
503 22 00-01	A		503 63 76-01	J		503 82 07-03	G		537 08 67-01	M	N
503 22 04-01	L	N	503 63 76-02	J		503 82 98-02	J		537 08 92-01	H	
503 22 24-01	H		503 64 47-01	B		503 83 81-02	A		537 09 54-01	H	
503 22 65-03	G		503 64 72-01		1=compl	503 84 61-01	H		537 16 22-01	L	N
503 23 00-04	B		503 64 78-01	N	2=compl,N	503 85 58-01	N	N	720 12 40-20	J	
503 23 00-42	L		503 64 79-01	H		503 85 59-01	N	N	720 12 72-20	J	
503 23 00-59	B		503 66 53-01	G		503 85 73-01	H		724 12 87-59	F	
503 23 00-63	A		503 66 59-01	P		503 85 96-01	M		725 53 05-55	G	
503 23 00-66	A		503 67 86-01	H		503 86 17-71	B		725 53 29-55	G	
503 23 43-02	M		503 68 41-01	G		503 88 44-01	P	3	725 53 29-56	B	
503 23 51-08	D		503 69 10-73	D		503 88 45-01	P		725 53 31-55	H	
503 25 56-01	D,E		503 69 13-71	D		503 88 65-01	P		725 53 33-55	D	
503 26 03-01	H		503 69 28-71	M		503 88 66-01	P		725 53 70-55	F	
503 26 30-17	H,J		503 69 29-02	M	N	503 88 67-01	P		737 43 12-00	D	
503 26 30-19	E	N	503 69 74-01	C		503 89 56-01	J		738 22 02-25	E	
503 27 21-01	B		503 70 11-01	G		503 89 56-02	J		740 48 07-02	A	
503 28 18-05	G,N	EPA, N	503 70 12-03	A,Q		503 89 70-01	A				
503 28 32-03	G,P		503 70 51-01	H		503 89 76-01	L				
503 28 90-15	D		503 70 57-08	Q		503 90 99-01	D	1			
503 40 06-06	G		503 70 99-01	A		503 91 39-01	N	EPA,N			
503 42 67-01	B		503 71 27-01	G		503 91 40-01	N	EPA,N			
503 43 18-01	G		503 71 53-01	D		503 91 54-01	N	EPA,N			
503 43 20-01	B		503 71 76-01	J		503 93 24-71	B				
503 43 65-01	A		503 71 82-01	L		503 93 24-72	B				
503 44 32-01	J		503 71 91-71	J		503 93 67-01	P				
503 47 81-01	P		503 71 93-04	A		503 93 68-01	P	3			

1 = 503 64 72-01 Set of gaskets
 2 = 503 64 78-01 Dichtungssatz
 3 = 503 56 46-01 Jeu de joints
 Juego de juntas
 Packningssats

N = New part
 Neues teil
 Nouvelle piece
 Nueva pieza
 Ny detalj

EPA = Environmental Protection Agency
 (for USA only)