

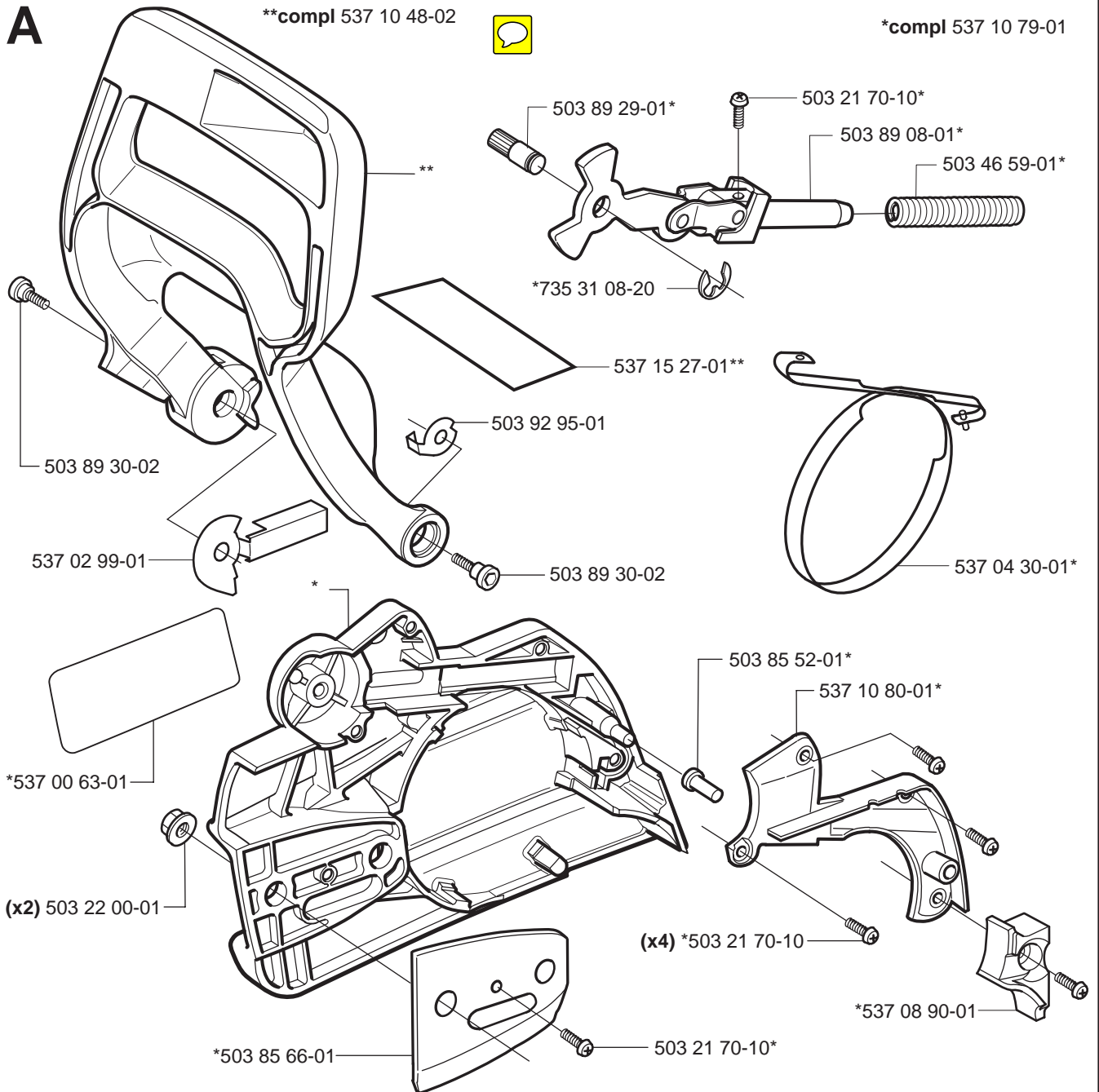
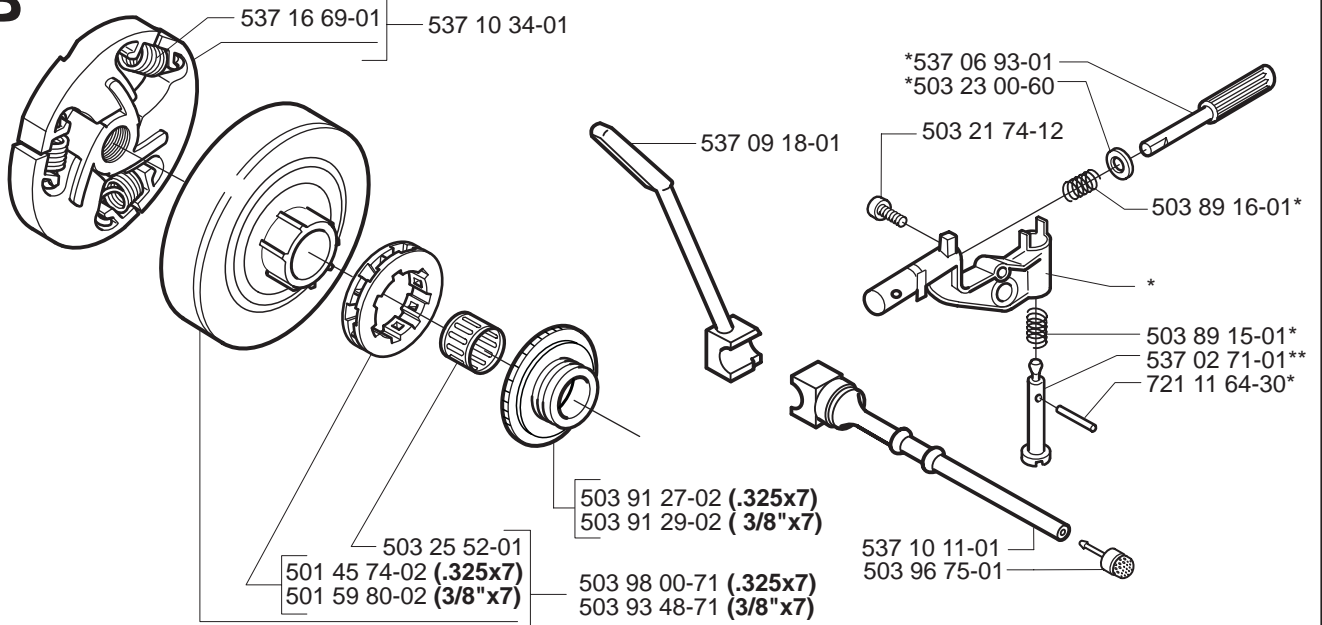
# Jonsered



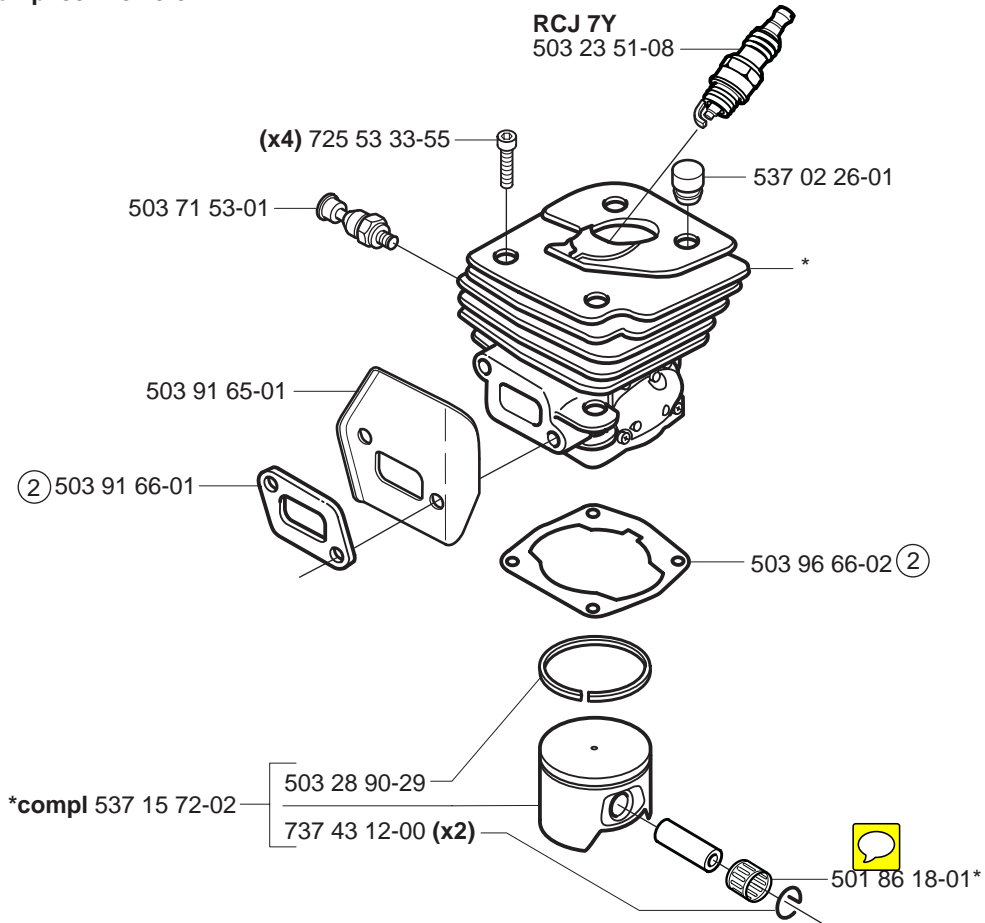
IPL, 2159, 2159 EPA, 2001-07, 106 27 12-61

# 2159, 2159 EPA

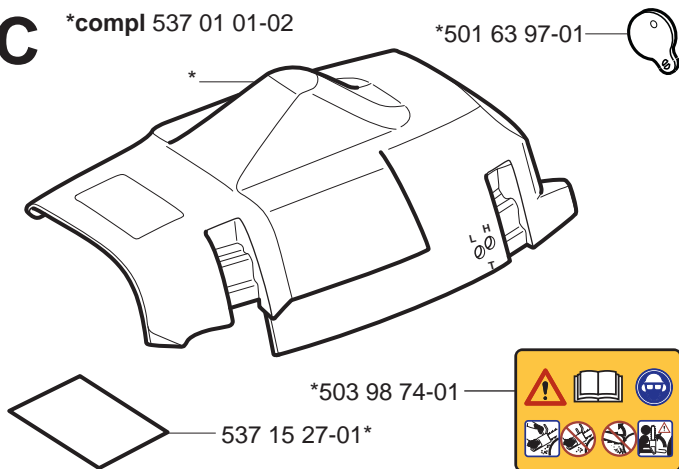
**Spare parts**  
**Ersatzteile**  
**Pièces détachées**  
**Reserve onderdelen**  
**Repuestos**  
**Reservdelar**

**A****\*\*compl 537 10 48-02****\*compl 537 10 79-01****B****\*compl 537 10 55-02**

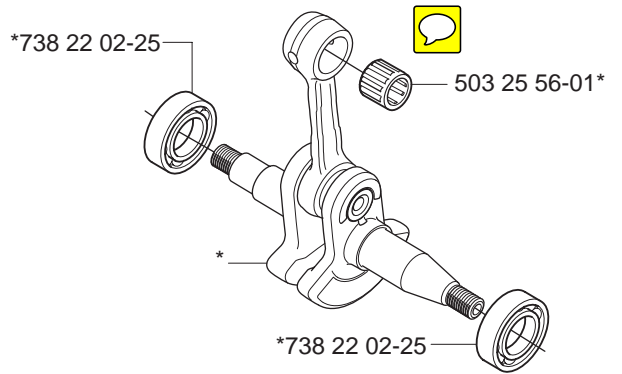
**D** \*compl 537 15 73-02



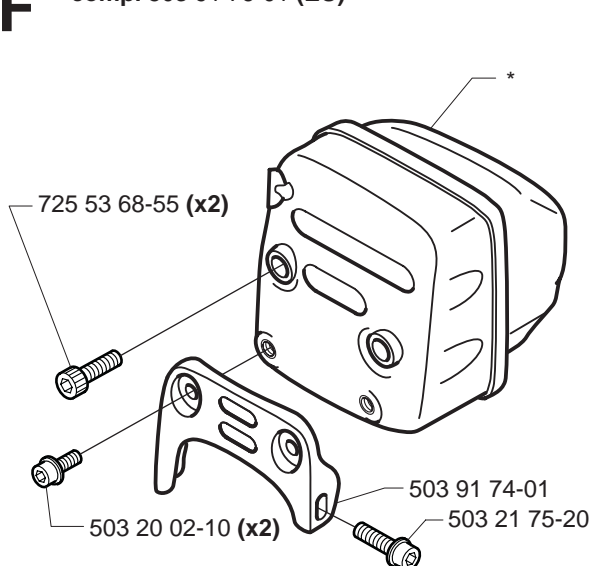
**C** \*compl 537 01 01-02



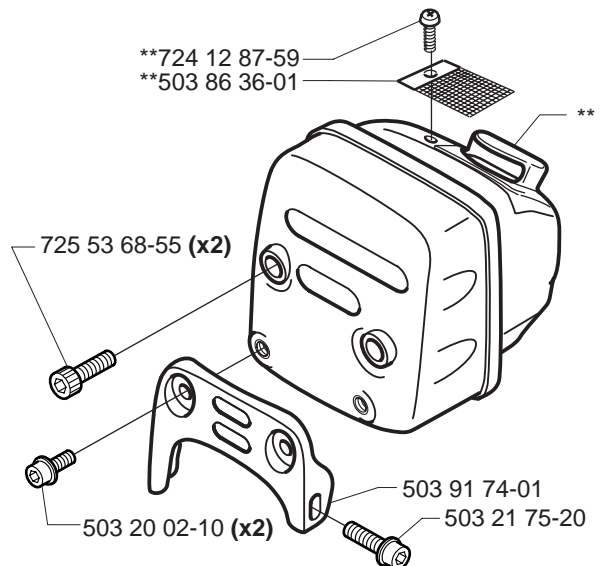
**E** \*compl 537 15 68-01

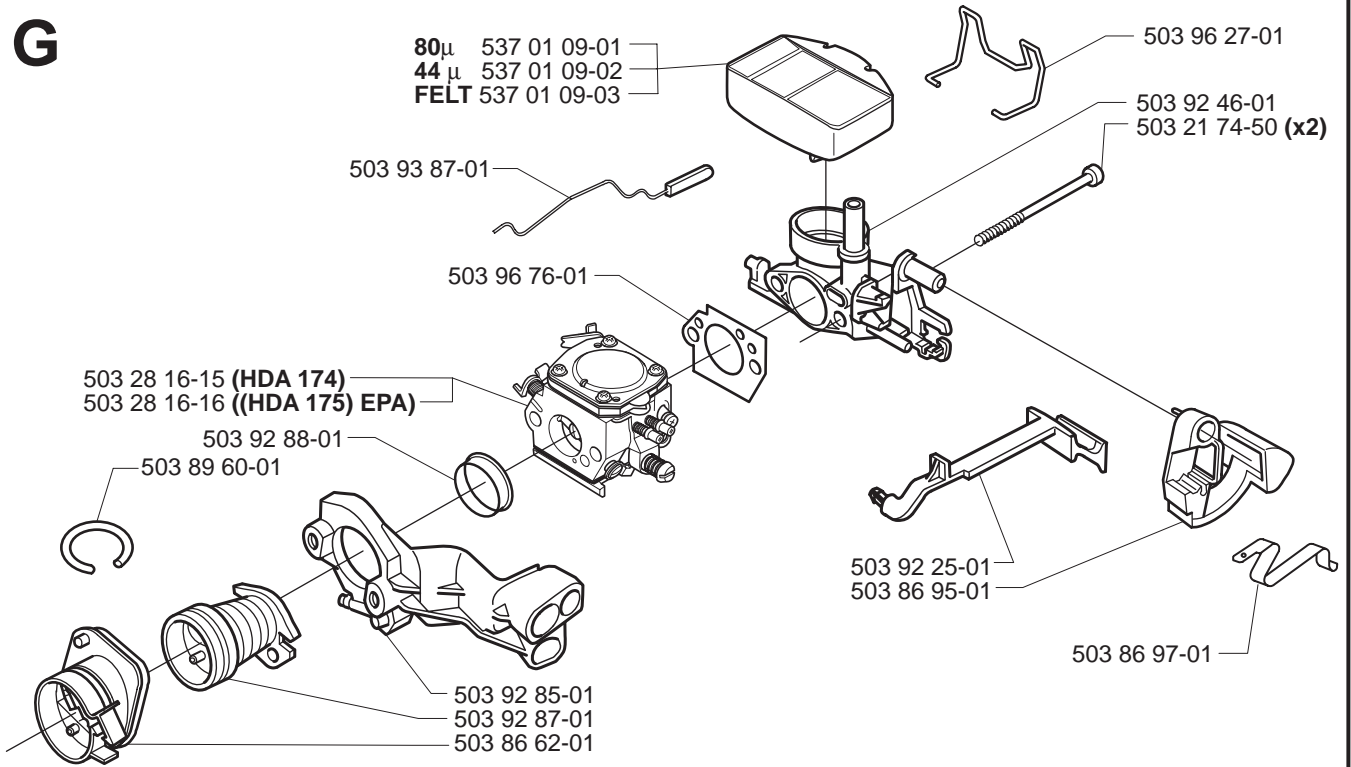
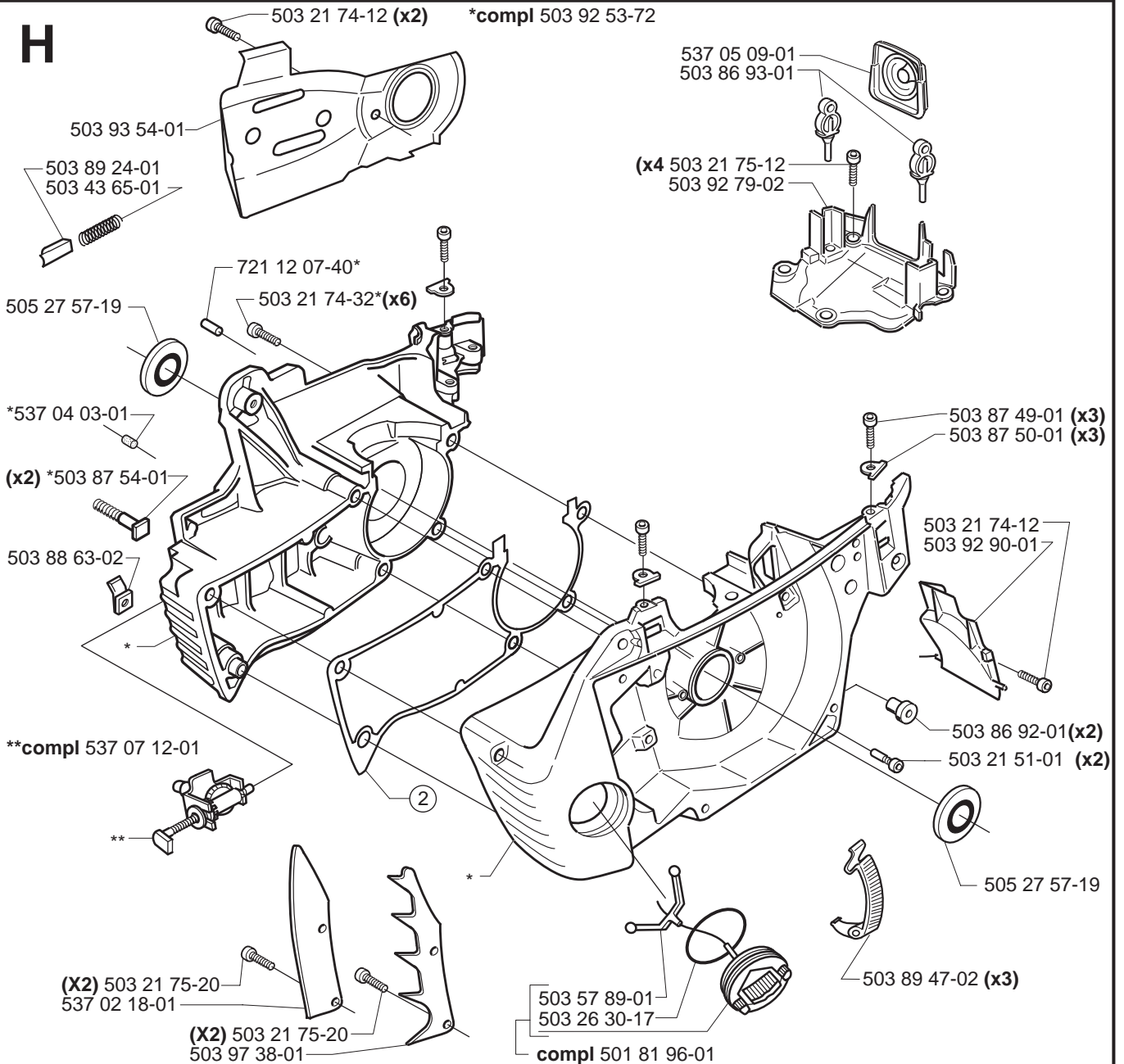


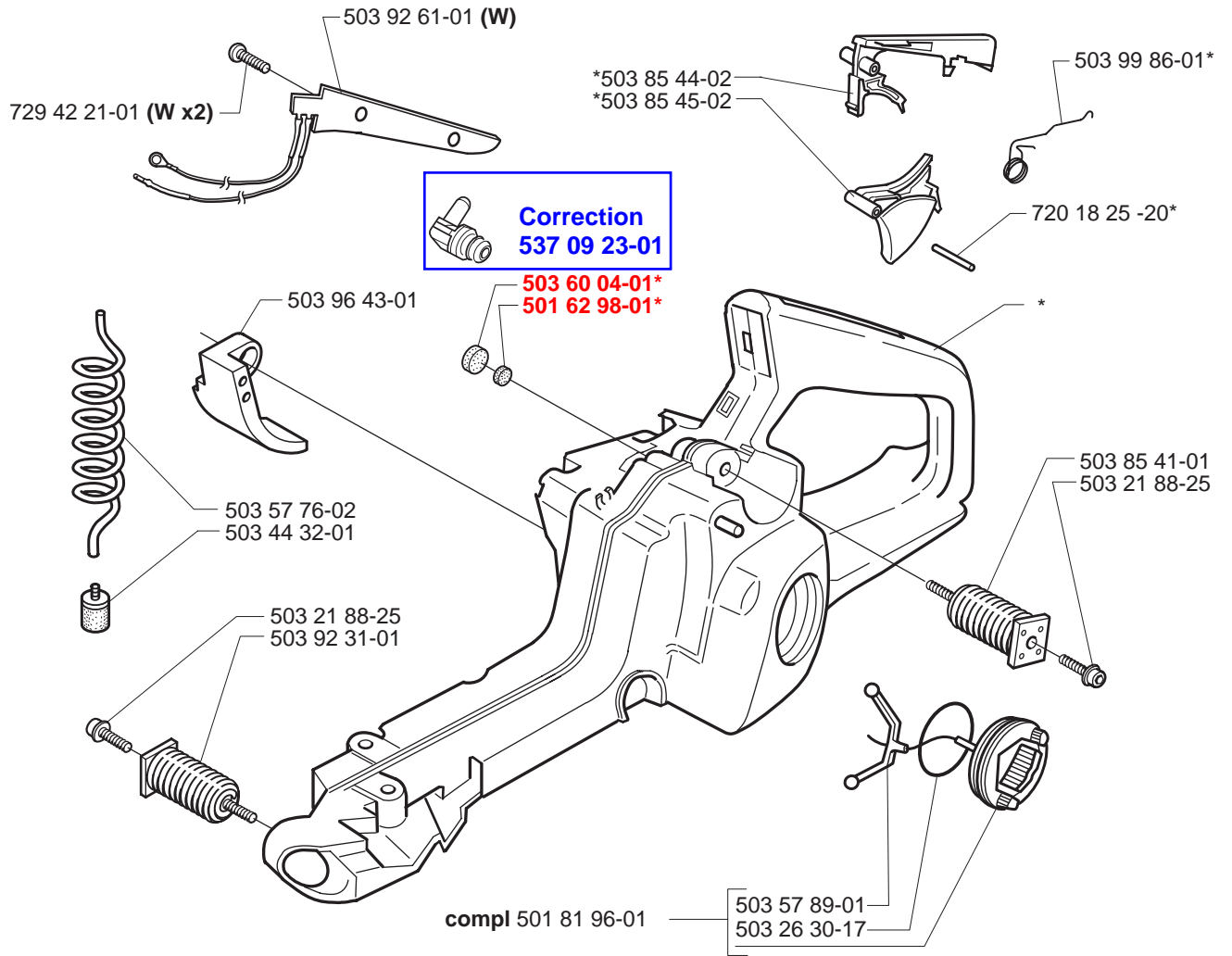
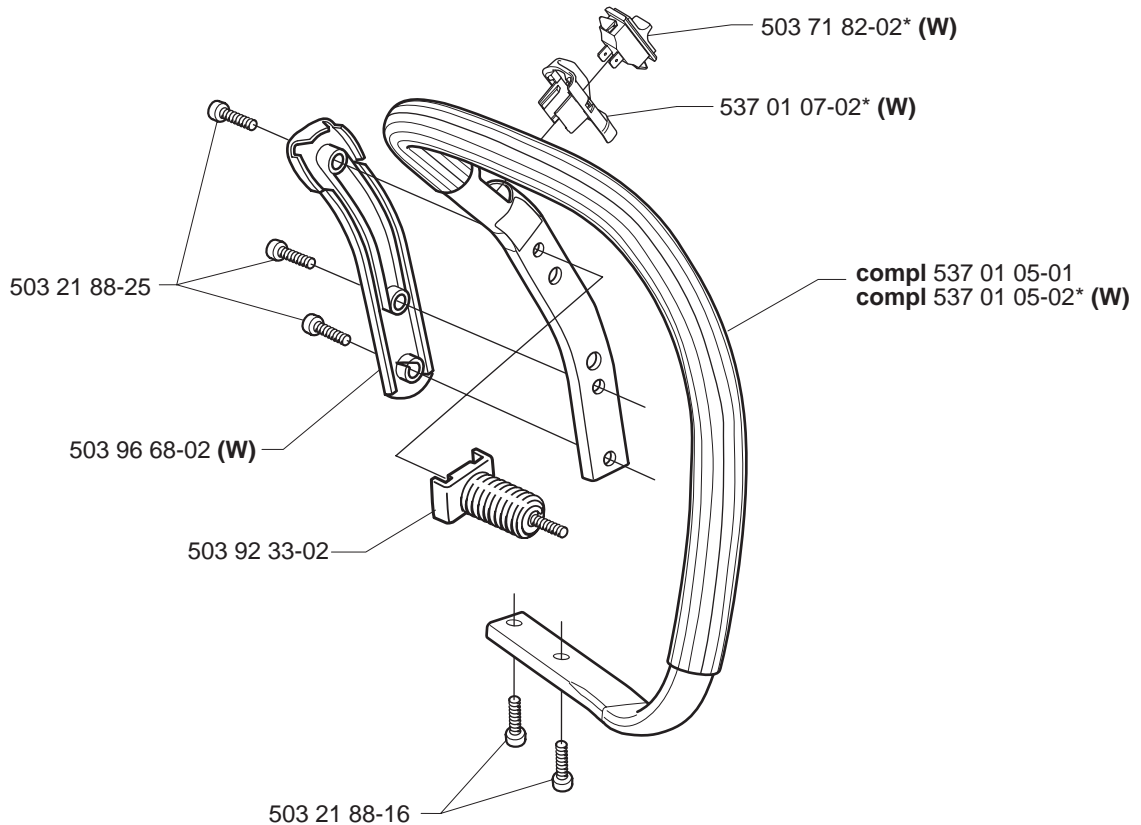
**F** \*compl 503 91 76-01 (EU)



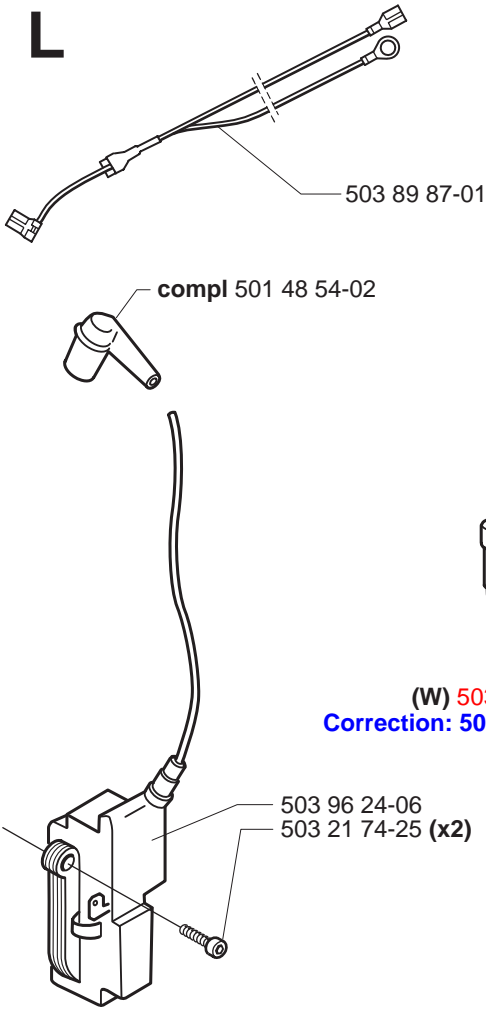
\*\*compl 503 91 75-01 (FF)



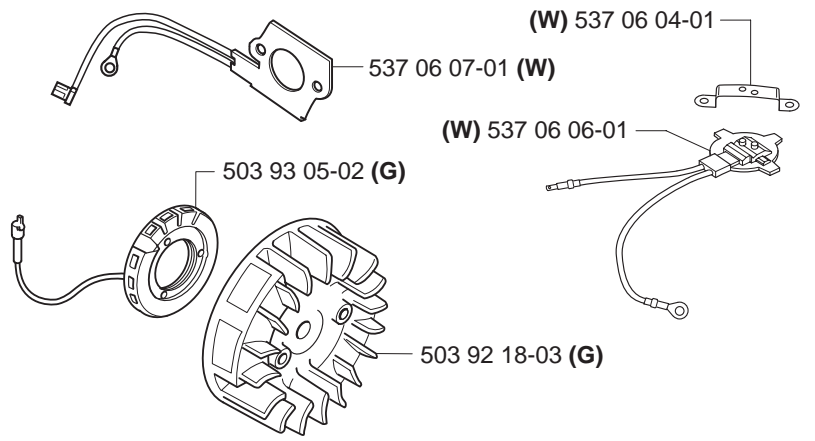
**G****H**

**J****\*compl 503 92 30-72****K**

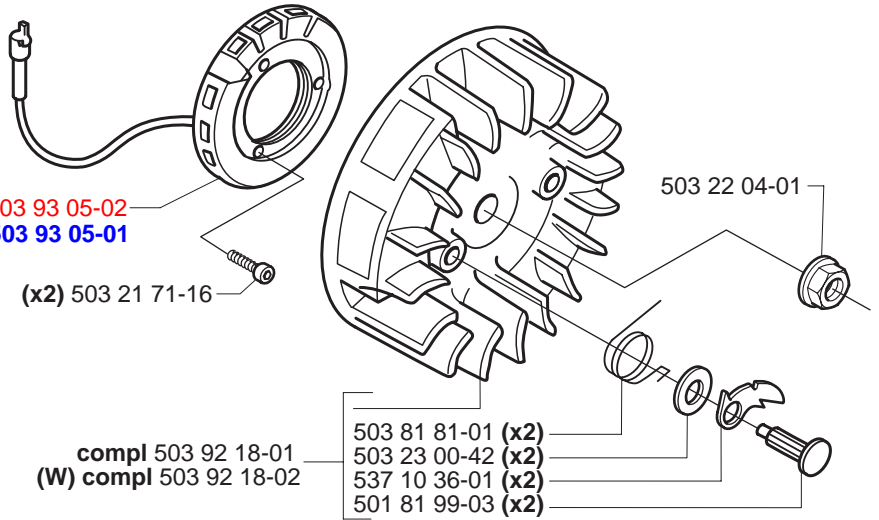
**L**



**Heated carburettor**

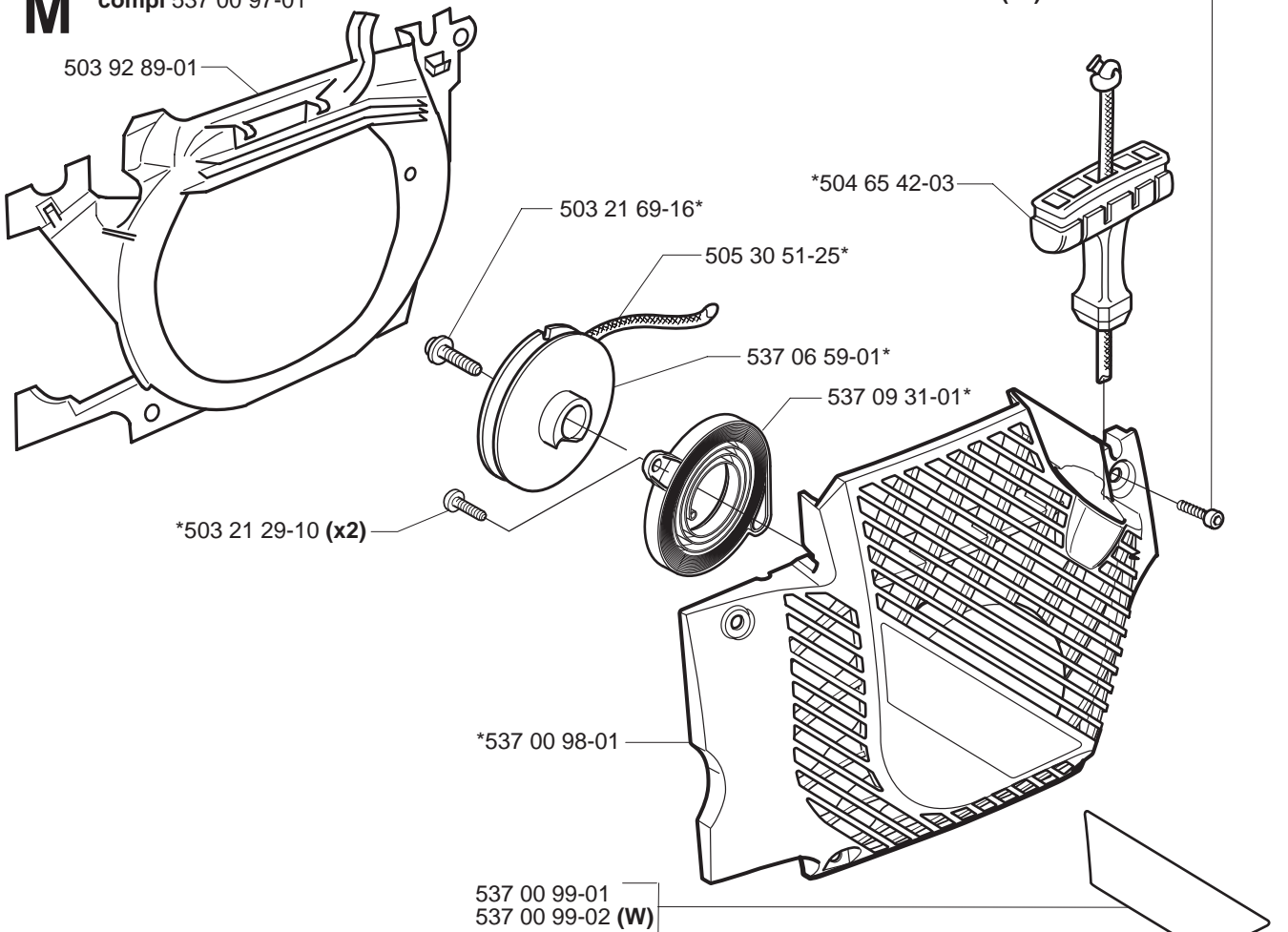


(W) 503 93 05-02  
Correction: 503 93 05-01



**M**

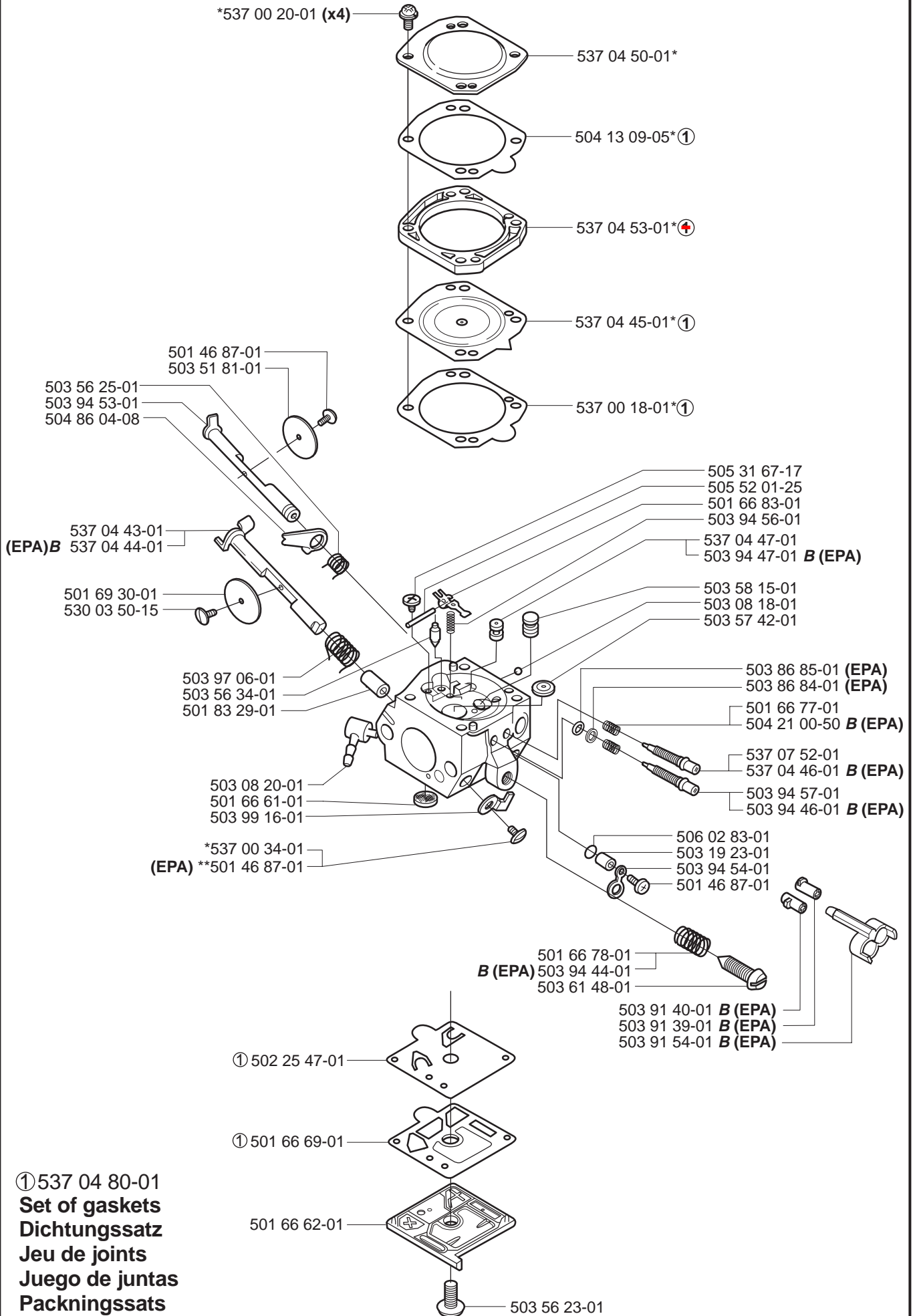
\*compl 537 00 97-01



**N**

\*compl 503 28 16-15 Walbro HDA 174

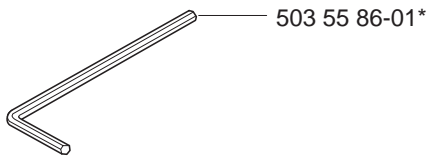
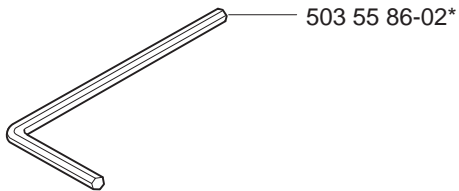
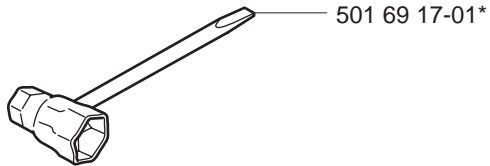
\*\*compl 503 28 16-16 Walbro HDA 175 (EPA)



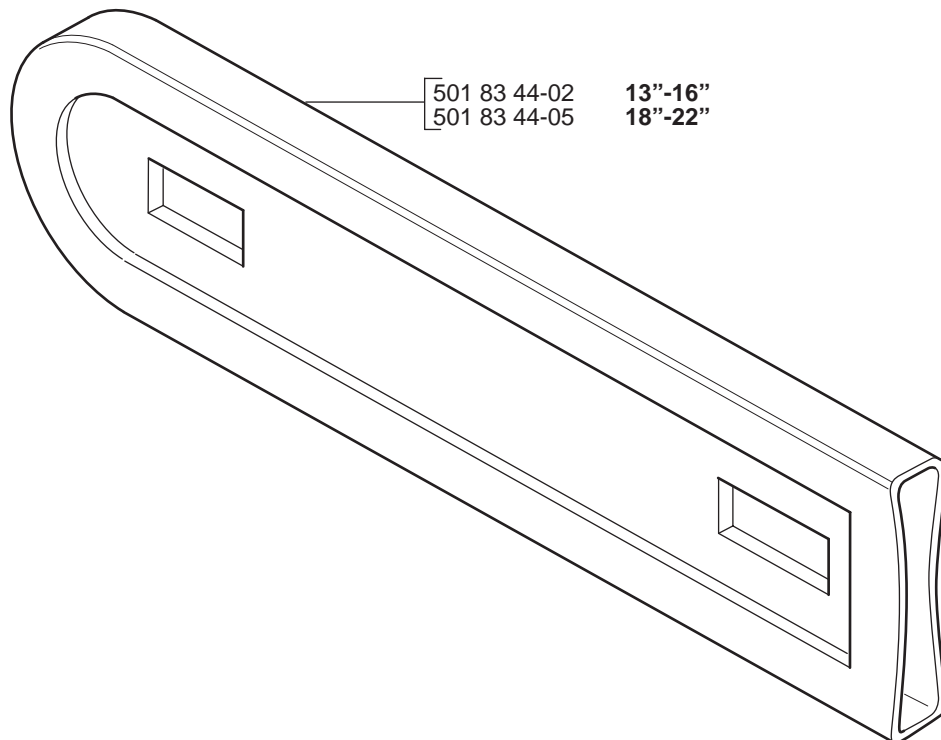
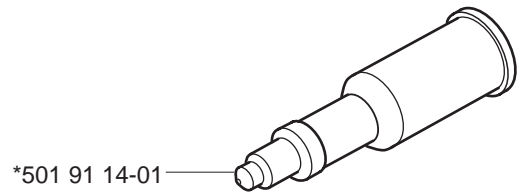
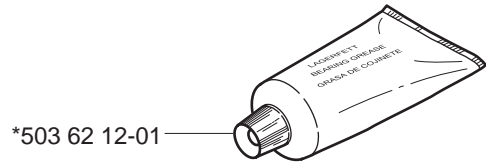
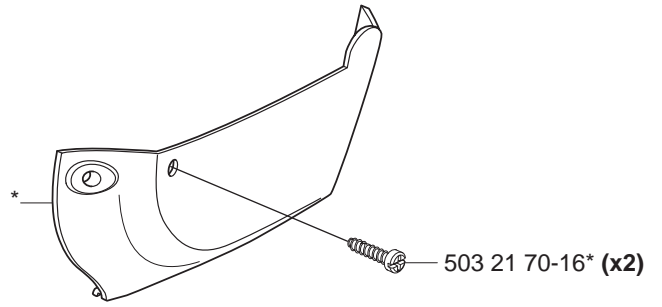
**P**

\*compl 503 55 85-01

Accessories  
Zubehöre  
Accessories  
Accesorios  
Tillbehör



\*compl 537 01 00-01 WINTER KIT





MODEL 2159, 2159 EPA

| PART NUMBER  | SQUARE NOTE | PART NUMBER  | SQUARE NOTE | PART NUMBER  | SQUARE NOTE | PART NUMBER   | SQUARE NOTE |
|--------------|-------------|--------------|-------------|--------------|-------------|---------------|-------------|
| 501 45 74-02 | B           | 503 46 59-01 | A           | 503 92 90-01 | H           | 537 06 06-01  | L           |
| 501 46 87-01 | N           | 503 51 81-01 | N           | 503 92 95-01 | A           | 537 06 07-01  | L           |
| 501 46 87-01 | N           | 503 55 85-01 | P           | 503 93 05-02 | L           | 537 06 59-01  | M           |
| 501 46 87-01 | N           | 503 55 86-01 | P           | 503 93 05-02 | L           | 537 06 93-01  | B           |
| 501 48 54-02 | L           | 503 55 86-02 | P           | 503 93 48-71 | B           | 537 07 12-01  | H           |
| 501 59 80-02 | B           | 503 56 23-01 | N           | 503 93 54-01 | H           | 537 07 52-01  | N           |
| 501 62 98-01 | J           | 503 56 25-01 | N           | 503 93 87-01 | G           | 537 08 90-01  | A           |
| 501 63 97-01 | C           | 503 56 34-01 | N           | 503 94 44-01 | N           | 537 09 18-01  | B           |
| 501 66 61-01 | N           | 503 57 42-01 | N           | 503 94 46-01 | N           | 537 09 31-01  | M           |
| 501 66 62-01 | N           | 503 57 76-02 | J           | 503 94 47-01 | N           | 537 10 11-01  | B           |
| 501 66 69-01 | N           | 503 57 89-01 | H           | 503 94 53-01 | N           | 537 10 34-01  | B           |
| 501 66 77-01 | N           | 503 57 89-01 | J           | 503 94 54-01 | N           | 537 10 36-01  | L           |
| 501 66 78-01 | N           | 503 58 15-01 | N           | 503 94 56-01 | N           | 537 10 48-02  | A           |
| 501 66 83-01 | N           | 503 60 04-01 | J           | 503 94 57-01 | N           | 537 10 79-01  | A           |
| 501 69 17-01 | P           | 503 61 48-01 | N           | 503 96 24-06 | L           | 537 10 80-01  | A           |
| 501 69 30-01 | N           | 503 62 12-01 | P           | 503 96 27-01 | G           | 537 15 27-01  | A           |
| 501 81 96-01 | H           | 503 71 53-01 | D           | 503 96 43-01 | J           | 537 15 27-01  | C           |
| 501 81 96-01 | J           | 503 71 82-02 | K           | 503 96 66-02 | D           | 537 15 68-01  | E           |
| 501 81 99-03 | L           | 503 81 81-01 | L           | 503 96 68-02 | K           | 537 15 72-02  | D           |
| 501 83 29-01 | N           | 503 85 41-01 | J           | 503 96 75-01 | B           | 537 15 73-02  | D           |
| 501 83 44-02 | P           | 503 85 44-02 | J           | 503 96 76-01 | G           | 537 16 69-01  | B           |
| 501 83 44-05 | P           | 503 85 45-02 | J           | 503 97 06-01 | N           | 720 18 25 -20 | J           |
| 501 86 18-01 | D           | 503 85 52-01 | A           | 503 97 38-01 | H           | 721 11 64-30  | B           |
| 501 91 14-01 | P           | 503 85 66-01 | A           | 503 97 85-01 | 2           | 721 12 07-40  | H           |
| 502 25 47-01 | N           | 503 86 36-01 | F           | 503 98 00-71 | B           | 724 12 87-59  | F           |
| 503 08 18-01 | N           | 503 86 62-01 | G           | 503 98 74-01 | C           | 725 53 33-55  | D           |
| 503 08 20-01 | N           | 503 86 92-01 | H           | 503 99 16-01 | N           | 725 53 68-55  | F           |
| 503 19 23-01 | N           | 503 86 93-01 | H           | 503 99 86-01 | J           | 725 53 68-55  | F           |
| 503 20 02-10 | F           | 503 86 95-01 | G           | 504 13 09-05 | N           | 729 42 21-01  | J           |
| 503 20 02-10 | F           | 503 86 97-01 | G           | 504 21 00-50 | N           | 735 31 08-20  | A           |
| 503 20 34-19 | M           | 503 87 49-01 | H           | 504 65 42-03 | M           | 737 43 12-00  | D           |
| 503 21 29-10 | M           | 503 87 50-01 | H           | 504 86 04-08 | N           | 738 22 02-25  | E           |
| 503 21 51-01 | H           | 503 87 54-01 | H           | 505 27 57-19 | H           | 738 22 02-25  | E           |
| 503 21 69-16 | M           | 503 88 63-02 | H           | 505 27 57-19 | H           |               |             |
| 503 21 70-10 | A           | 503 89 08-01 | A           | 505 30 51-25 | M           |               |             |
| 503 21 70-10 | A           | 503 89 15-01 | B           | 505 31 67-17 | N           |               |             |
| 503 21 70-10 | A           | 503 89 16-01 | B           | 505 52 01-25 | N           |               |             |
| 503 21 70-16 | P           | 503 89 24-01 | H           | 506 02 83-01 | N           |               |             |
| 503 21 71-16 | L           | 503 89 29-01 | A           | 530 03 50-15 | N           |               |             |
| 503 21 74-12 | B           | 503 89 30-02 | A           | 537 00 18-01 | N           |               |             |
| 503 21 74-12 | H           | 503 89 30-02 | A           | 537 00 20-01 | N           |               |             |
| 503 21 74-12 | H           | 503 89 47-02 | H           | 537 00 63-01 | A           |               |             |
| 503 21 74-25 | L           | 503 89 60-01 | G           | 537 00 97-01 | M           |               |             |
| 503 21 74-32 | H           | 503 89 87-01 | L           | 537 00 98-01 | M           |               |             |
| 503 21 74-50 | G           | 503 91 27-02 | B           | 537 00 99-01 | M           |               |             |
| 503 21 75-12 | H           | 503 91 29-02 | B           | 537 00 99-02 | M           |               |             |
| 503 21 75-20 | F           | 503 91 39-01 | N           | 537 01 00-01 | P           |               |             |
| 503 21 75-20 | H           | 503 91 40-01 | N           | 537 01 01-02 | C           |               |             |
| 503 21 75-20 | H           | 503 91 54-01 | N           | 537 01 05-01 | K           |               |             |
| 503 21 75-20 | F           | 503 91 65-01 | D           | 537 01 05-02 | K           |               |             |
| 503 21 88-16 | K           | 503 91 66-01 | D           | 537 01 07-02 | K           |               |             |
| 503 21 88-25 | J           | 503 91 74-01 | F           | 537 01 09-01 | G           |               |             |
| 503 21 88-25 | J           | 503 91 74-01 | F           | 537 01 09-02 | G           |               |             |
| 503 21 88-25 | K           | 503 91 75-01 | F           | 537 01 09-03 | G           |               |             |
| 503 22 00-01 | A           | 503 91 76-01 | F           | 537 02 18-01 | H           |               |             |
| 503 22 04-01 | L           | 503 92 18-01 | L           | 537 02 26-01 | D           |               |             |
| 503 23 00-42 | L           | 503 92 18-02 | L           | 537 02 71-01 | B           |               |             |
| 503 23 00-60 | B           | 503 92 18-03 | L           | 537 02 99-01 | A           |               |             |
| 503 23 51-08 | D           | 503 92 25-01 | G           | 537 04 03-01 | H           |               |             |
| 503 25 52-01 | B           | 503 92 30-72 | J           | 537 04 30-01 | A           |               |             |
| 503 25 56-01 | E           | 503 92 31-01 | J           | 537 04 43-01 | N           |               |             |
| 503 26 30-17 | H           | 503 92 33-02 | K           | 537 04 44-01 | N           |               |             |
| 503 26 30-17 | J           | 503 92 46-01 | G           | 537 04 45-01 | N           |               |             |
| 503 28 16-15 | G           | 503 92 53-72 | H           | 537 04 46-01 | N           |               |             |
| 503 28 16-15 | N           | 503 92 61-01 | J           | 537 04 47-01 | N           |               |             |
| 503 28 16-16 | G           | 503 92 79-02 | H           | 537 04 50-01 | N           |               |             |
| 503 28 16-16 | N           | 503 92 85-01 | G           | 537 04 53-01 | N           |               |             |
| 503 28 90-29 | D           | 503 92 87-01 | G           | 537 04 80-01 | 1           |               |             |
| 503 43 65-01 | H           | 503 92 88-01 | G           | 537 05 09-01 | H           |               |             |
| 503 44 32-01 | J           | 503 92 89-01 | M           | 537 06 04-01 | L           |               |             |

1 = 503 97 85-01 = 2  
 2 = 537 04 80-01 = 1

Set of gaskets, Dichtungssatz  
 Jeu de joints, Juego de juntas  
 Packningssats

N = New part, Neues teil  
 Nouvelle piece, Nueva pieza  
 Ny detalj

EPA = Environmental Protection Agency  
 (for USA only)