

Jonsered



IPL, 2065, 2065 EPA, 1999-03, 106 24 44-63

2065, 2065 EPA

Spare parts

Ersatzteile

Pièces détachées

Reserve onderdelen

Repuestos

Reservdelar

Replaces

Ersetzt

Remplace

Vervangt

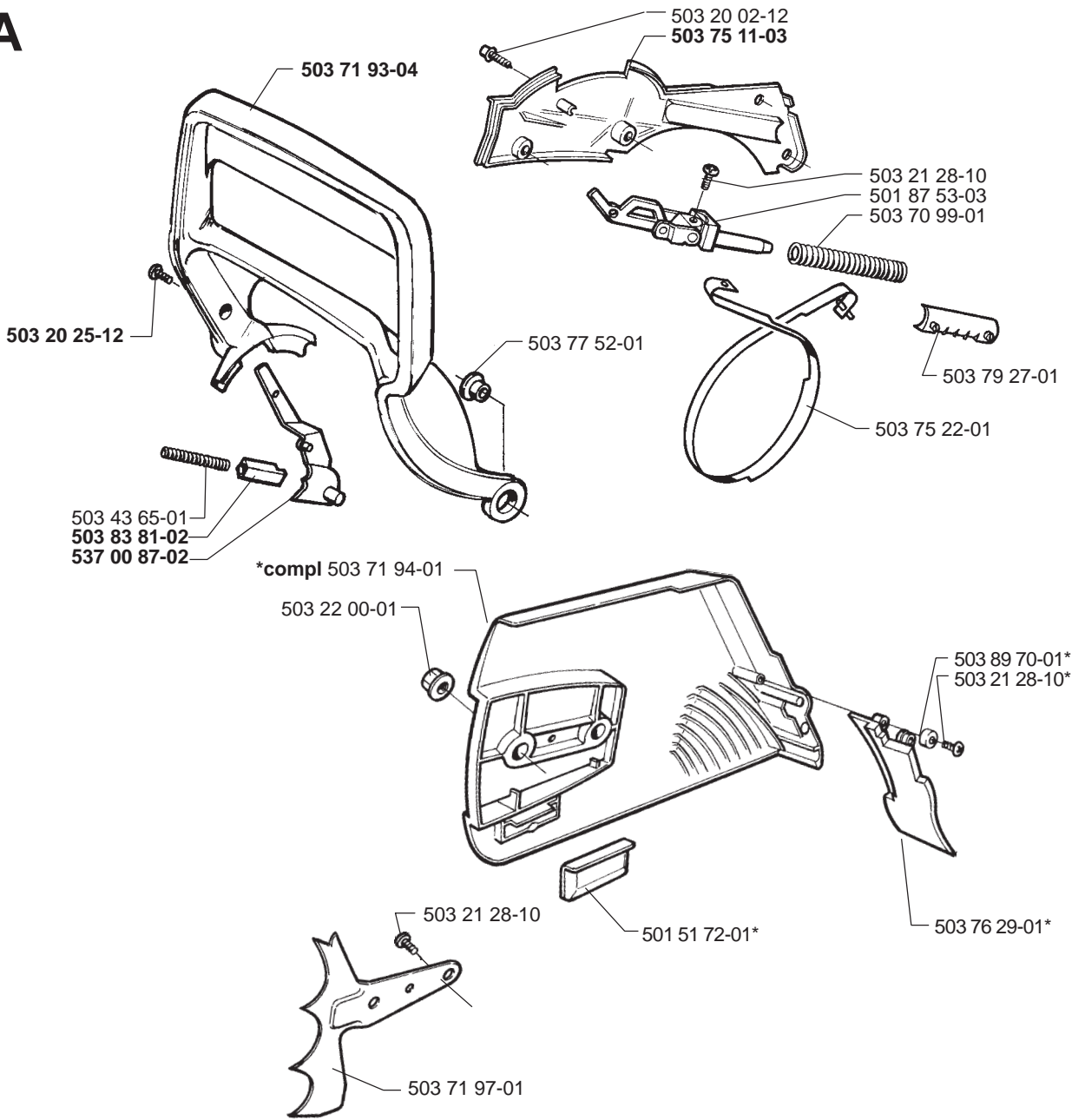
Reemplaza

Ersätter

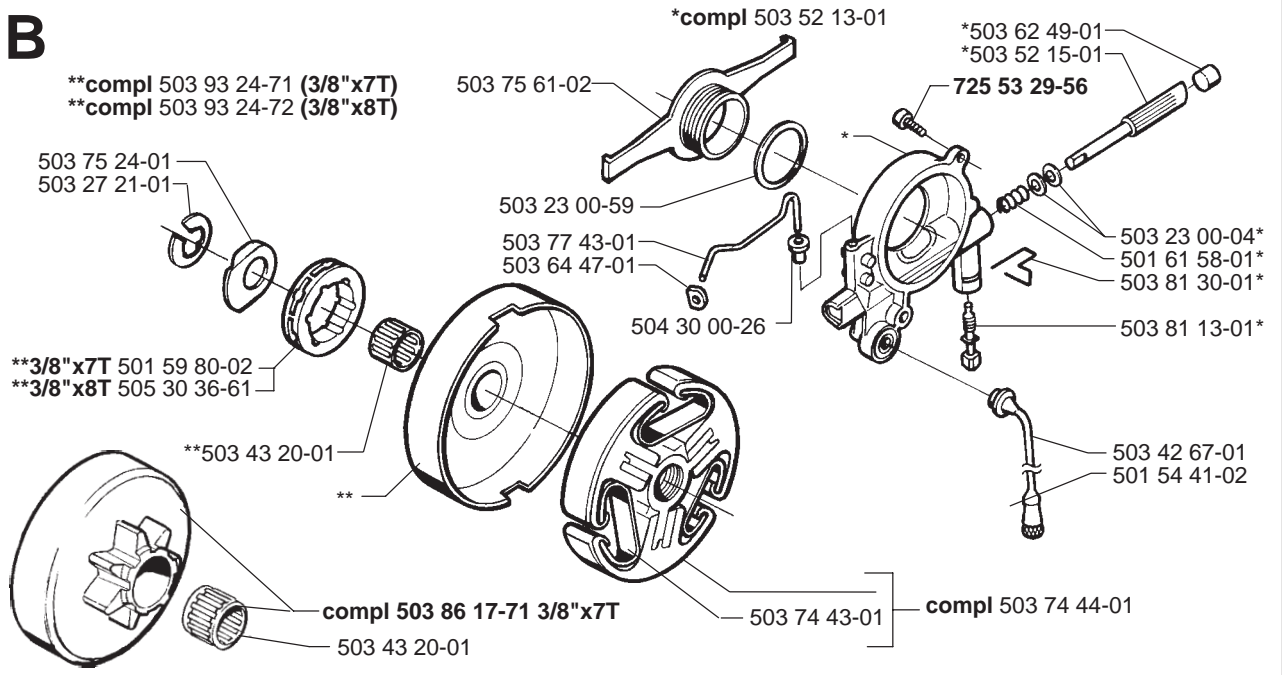
106 24 44-62 2065

106 25 08-61 2065 EPA

A

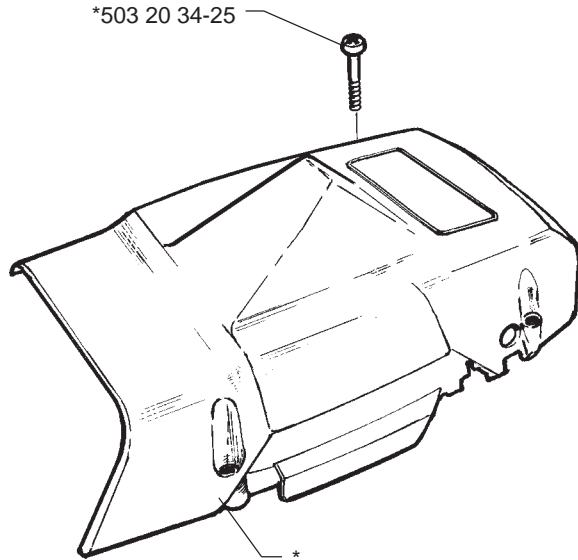
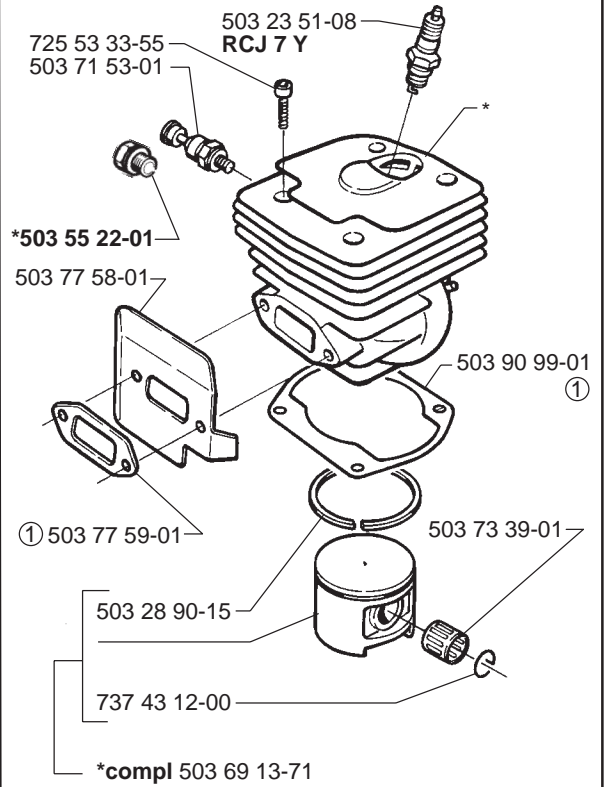


B

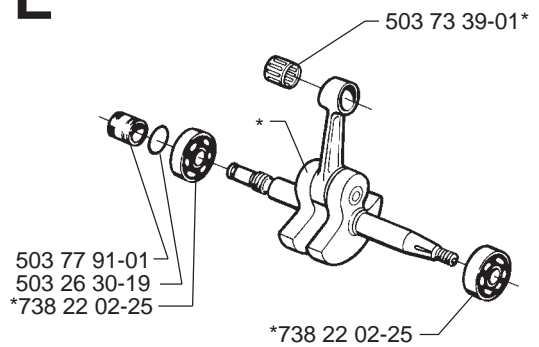
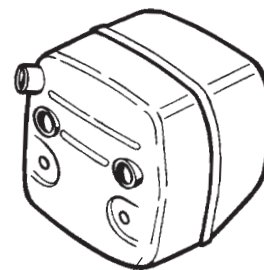
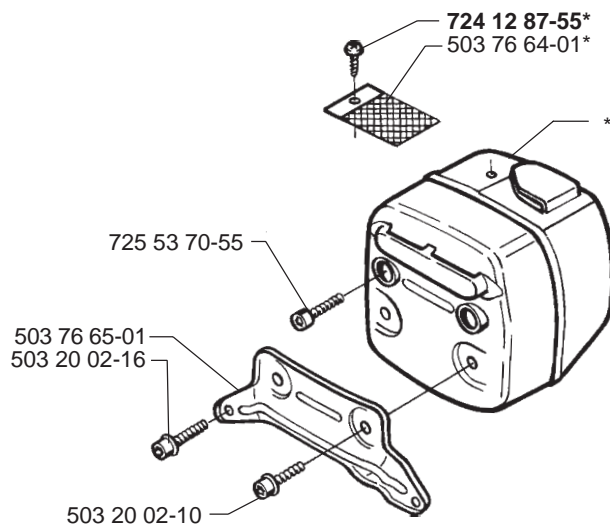


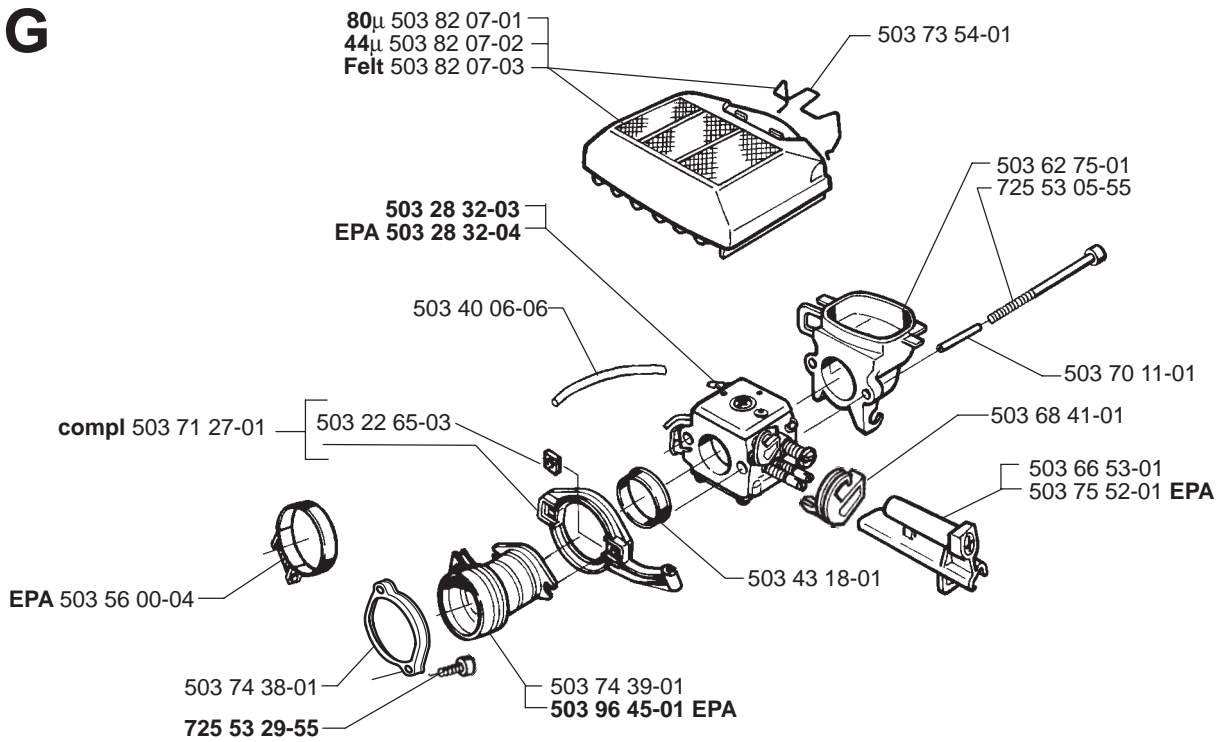
C

*compl 503 69 74-01

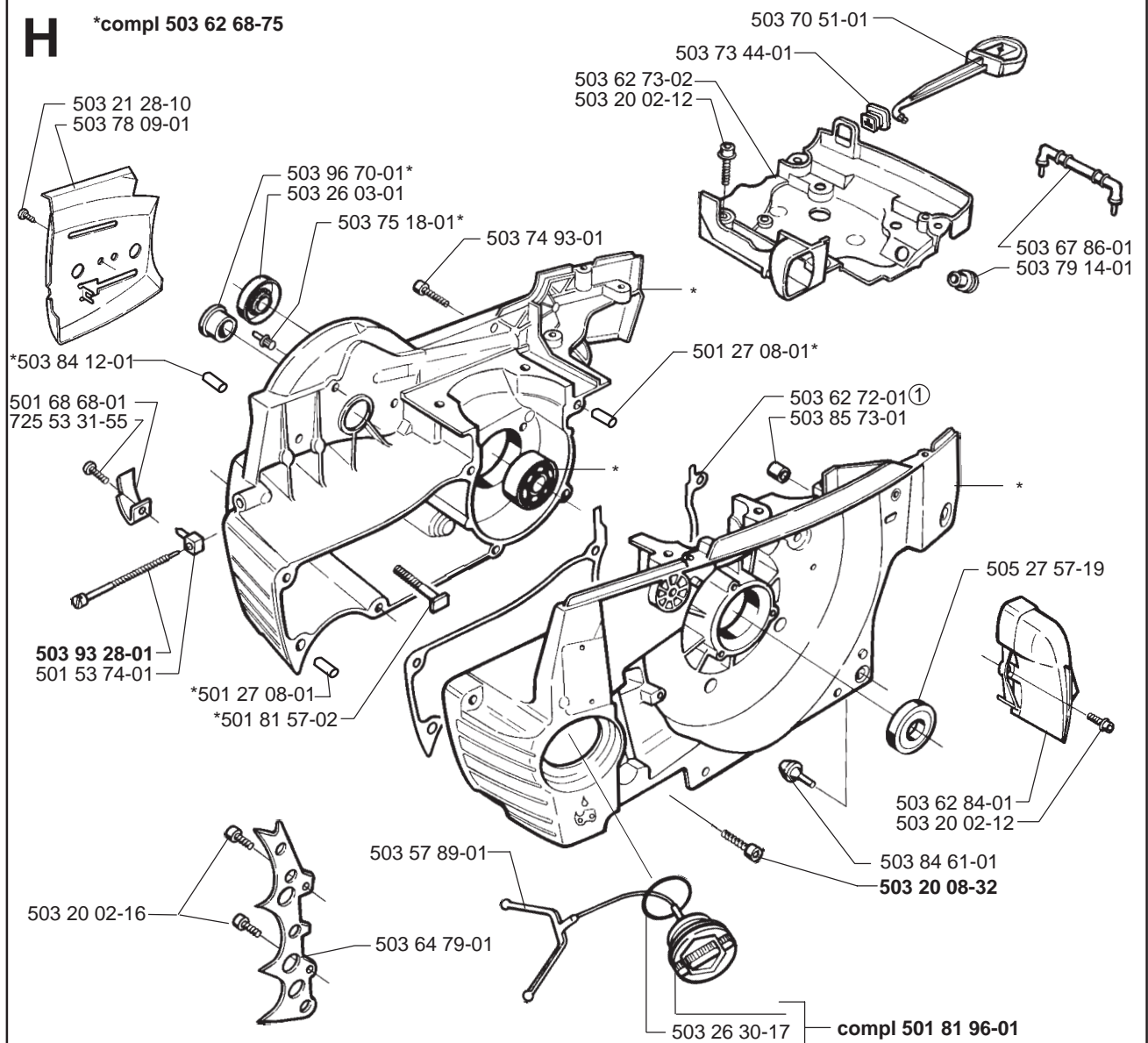
**D***compl 503 69 10-72
*compl 503 93 90-71 EPA**E**

*compl 503 72 91-76

**F**compl 503 76 52-01 FG
*compl 503 76 54-02 DFcompl 503 76 53-01 STD
compl 503 76 53-02 Jungle

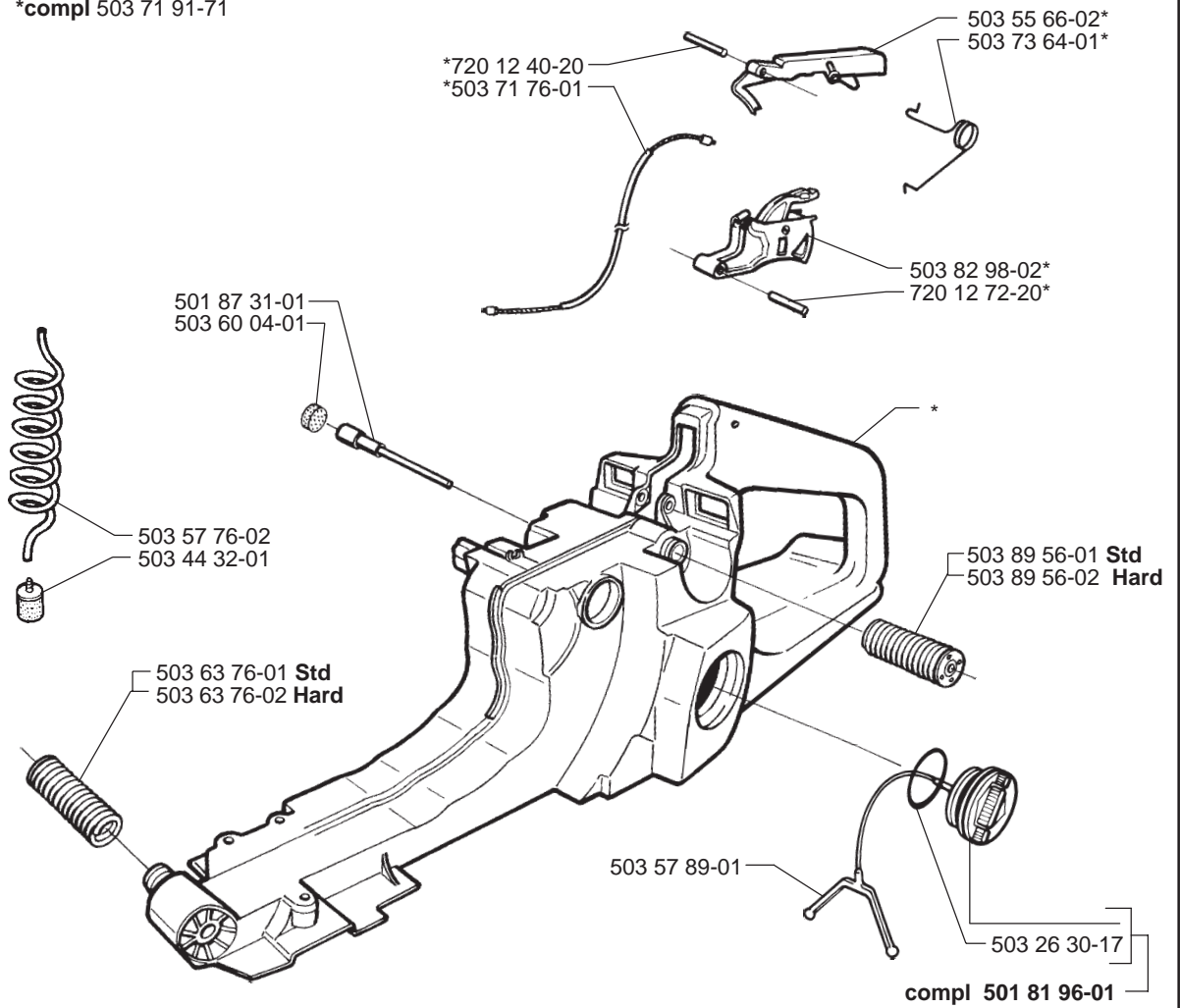
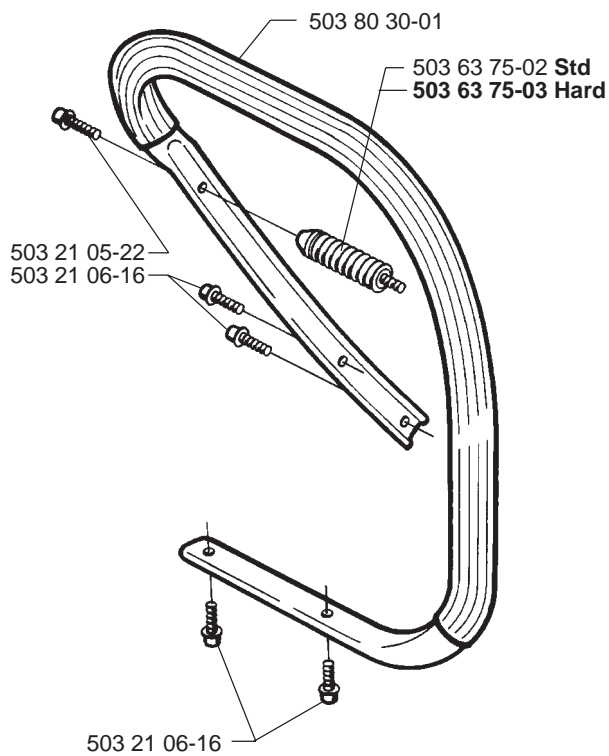
G**H**

*compl 503 62 68-75

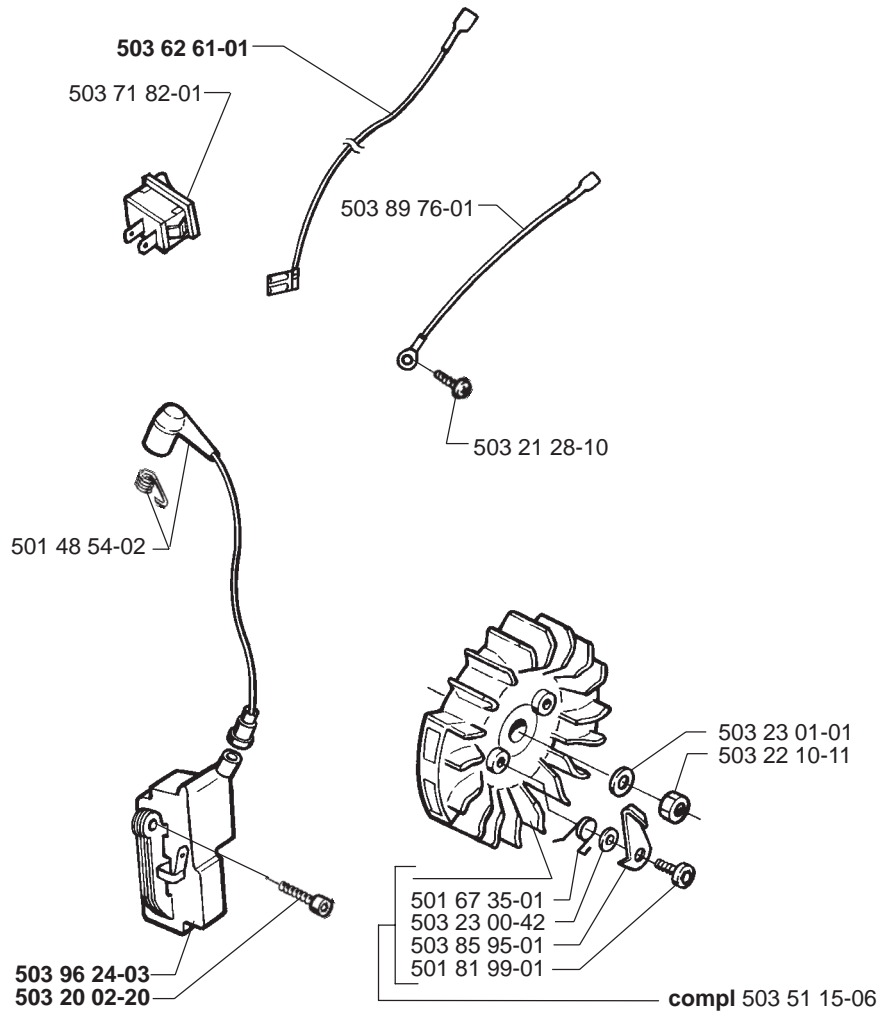


J

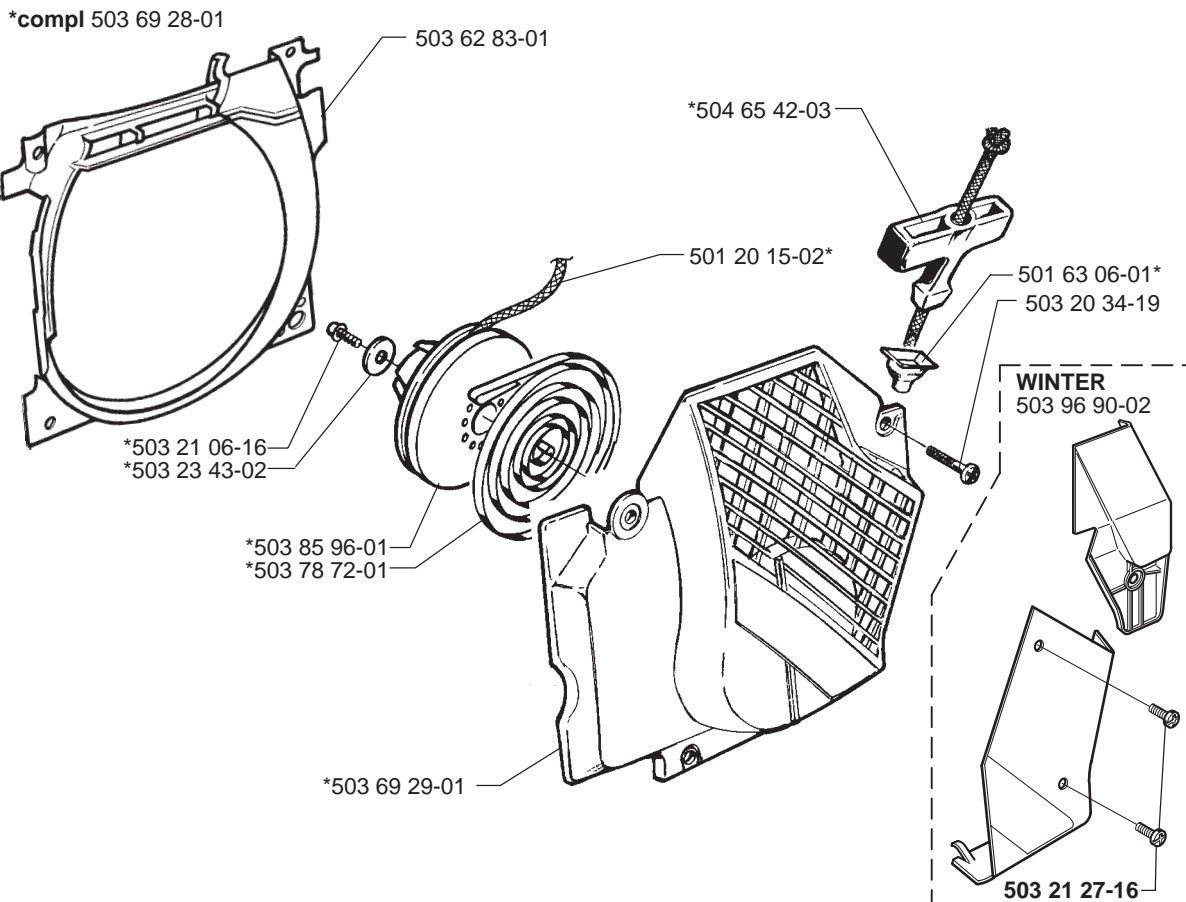
*compl 503 71 91-71

**K**

M



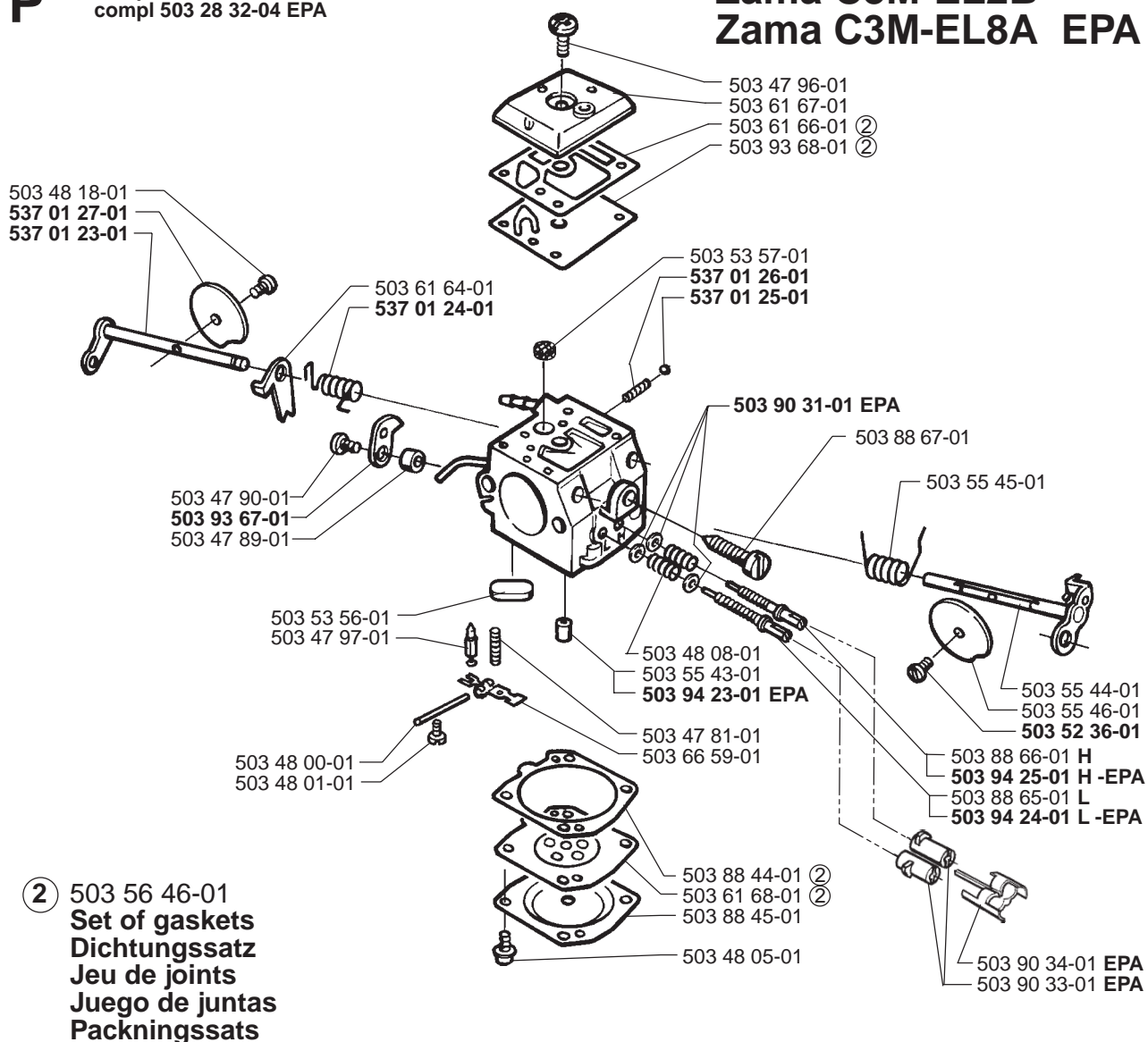
N



P

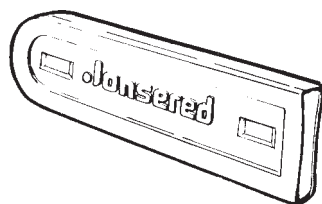
compl 503 28 32-03
compl 503 28 32-04 EPA

Zama C3M-EL2B Zama C3M-EL8A EPA



Q

Accessories
Zubehöre
Accessories
Accessorios
Tillbehör



13"-16" 501 83 44-02
18"-22" 501 83 44-05
24"-28" 501 83 45-02

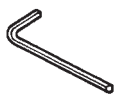


503 98 74-01

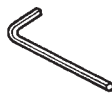
537 03 60-03



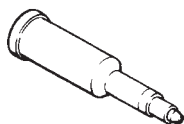
*compl 503 55 85-01



*503 55 86-01 NV4



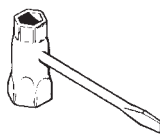
*503 55 86-02 NV5



*501 91 14-01



*503 62 12-01



*501 69 17-01



503 70 57-03

503 70 58-03



537 03 44-01



EPA 537 03 61-14

IMPORTANT ENGINE INFORMATION
Jonsered 2065 65cc
XVXKX 6503RA
JONSERED HUSQVARNA SWEDEN EM
THIS ENGINE CONFORMS TO U.S. EPA PH 1
EMISSION REGULATION FOR SMALL
NONROAD ENGINES. REFER TO OPERATOR'S
MANUAL FOR MAINTENANCE
SPECIFICATIONS AND ADJUSTMENTS.

2065, 2065 EPA

PART NUMBER	SQUARE	NOTE	PART NUMBER	SQUARE	NOTE	PART NUMBER	SQUARE	NOTE	PART NUMBER	SQUARE	NOTE
501 20 15-02	N		503 53 57-01	P		503 75 24-01	B		537 03 44-01	Q	N
501 27 08-01	H		503 55 22-01	D	N	503 75 52-01	G	EPA	537 03 60-03	Q	N
501 47 90-01	P		503 55 43-01	P		503 75 61-02	B		537 03 61-14	Q	N EPA
501 48 54-02	M		503 55 44-01	P		503 76 29-01	A		720 12 40-20	J	
501 51 72-01	A		503 55 45-01	P		503 76 52-01	F		720 12 72-20	J	
501 53 74-01	H		503 55 46-01	P		503 76 53-01	F		724 12 87-55	F	N
501 54 41-02	B		503 55 66-02	J		503 76 53-02	F		725 53 05-55	G	
501 59 80-02	B		503 55 85-01	Q	N	503 76 54-02	F		725 53 29-55	G	
501 61 58-01	B		503 55 86-01	Q		503 76 64-01	F		725 53 29-56	B	N
501 63 06-01	N		503 55 86-02	Q		503 76 65-01	F		725 53 31-55	H	
501 67 35-01	M		503 56 00-04	G	EPA	503 77 43-01	B		725 53 33-55	D	
501 68 68-01	H		503 56 46-01	P	2 COMPL	503 77 52-01	A		725 53 70-55	F	
501 69 17-01	Q		503 57 76-02	J		503 77 58-01	D		737 43 12-00	D	
501 81 57-02	H		503 57 89-01	HJ		503 77 59-01	D	1	738 22 02 25	E	
501 81 96-01	HJ	N	503 60 04-01	J		503 77 91 01	E				
501 81 99-01	M		503 61 64-01	P		503 78 09-01	H				
501 83 44-02	Q		503 61 66-01	P	2	503 78 72-01	N				
501 83 44-05	Q		503 61 67-01	p		503 79 14-01	H				
501 83 45-02	Q		503 61 68-01	p	2	503 79 27-01	A				
501 87 31-01	J		503 62 12-01	Q		503 80 30-01	K				
501 87 53-03	A		503 62 49-01	B		503 81 13-01	B				
501 91 14-01	Q		503 62 61-01	M	N	503 81 30-01	B				
503 20 02-10	F		503 62 68-75	H	N	503 82 07-01	G				
502 20 02-12	AH		503 62 72-01	H	1	503 82 07-02	G				
503 20 02-16	FH		503 62 73-02	H		503 82 07-03	G				
503 20 02-20	M	N	503 62 75-01	G		503 82 98-02	J				
503 20 08-32	H	N	503 62 83-01	H	N	503 83 81-02	A	N			
503 20 25-12	A	N	503 62 84-01	H		503 84 12-01	H				
503 20 34-19	N		503 63 75-02	K		503 84 61-01	H				
503 20 34-25	C		503 63 75-03	K	N	503 85 73-01	H				
503 21 05-22	K		503 63 76-01	J		503 85 95-01	M				
503 21 06-16	KN		503 63 76-02	J		503 85 96-01	N				
503 21 27-16	N	N	503 64 47-01	B		503 86 17-71	B	N			
503 21 28-10	AHM		503 64 72-01	DH	1 COMPL	503 88 44-01	P	2			
503 22 00-01	A		503 64 79-01	H		503 88 45-01	P				
503 22 10-11	M		503 66 53-01	G		503 88 65-01	P				
503 22 65-03	G		503 66 59-01	P		503 88 66-01	P				
503 23 00-04	B		503 67 86-01	H		503 88 67-01	P				
503 23 00-42	M		503 68 41-01	G		503 89 56-01	J				
503 23 00-59	B		503 69 10-72	D		503 89 56-02	J				
503 23 01-01	M		503 69 13-71	D		503 89 70-01	A				
503 23 43-02	N		503 69 28-01	N		503 89 76-01	M				
503 23 51-08	D		503 69 29-01	N		503 90 31-01	P	N	EPA		
503 26 03-01	H		503 69 74-01	C		503 90 33-01	P		EPA		
503 26 30-17	HJ		503 70 11-01	G		503 90 34-01	P		EPA		
503 26 30-19	E		503 70 51-01	H		503 90 99-01	D	1			
503 27 21-01	A		503 70 57-03	Q		503 93 24-71	B				
503 28 32-03	GP	N	503 70 58-03	Q		503 93 24-72	B				
503 28 32-04	GP	N	503 70 99-01	A		503 93 28-01	H	N			
503 28 90-15	D	EPA	503 71 27-01	G		503 93 67-01	P	N			
503 40 06-06	G		503 71 53-01	D		503 93 68-01	P		2		
503 42 67-01	B		503 71 76-01	J		503 93 90-71	D		EPA		
503 43 18-01	G		503 71 82-01	M		503 94 23-01	P	N	EPA		
503 43 20-01	B		503 71 91-71	J		503 94 24-01	P	N	EPA		
503 43 65-01	A		503 71 93-04	A	N	503 94 25-01	P	N	EPA		
503 44 32-01	J		503 71 94-01	A		503 96 24-03	M	N			
503 47 81 01	P		503 71 97-01	A		503 96 45-01	G	N	EPA		
503 47 89-01	P		503 72 91-76	E	N	503 96 70-01	H				
503 47 96-01	P		503 73 39-01	DE		503 96 90-02	N				
503 47 97-01	P		503 73 44-01	H		503 98 74-01	Q	N			
503 48 00-01	P		503 73 54-01	G		504 30 00-26	B				
503 48 01-01	P		503 73 64-01	J		504 65 42-03	N				
503 48 05-01	P		503 74 38-01	G		505 27 57-19	H				
503 48 08-01	P		503 74 39-01	G		505 30 36-61	B				
503 48 18-01	P		503 74 43-01	B		537 00 87-02	A	N			
503 51 15-06	M		503 74 44-01	B		537 01 23-01	P	N			
503 52 13-01	B		503 74 93-01	H		537 01 24-01	P	N			
503 52 15-01	B		503 75 11-03	A	N	537 01 25-01	P	N			
503 52 36-01	P	N	503 75 18-01	H		537 01 26-01	P	N			
503 53 56-01	P		503 75 22-01	A		537 01 27-01	P	N			

1 = 503 64 72-01
2 = 503 56 46-01

Set of gaskets
Dichtungssatz
Jeu de joints
Packningssatz

N = New part
Neues Teil
Nouvelles piece
Nueva pieza

EPA = Environmental Protection Agency